

HELTY®

Pure air for your home



Made in Italy



HRV systems and indoor comfort

Catalogue 2025

February 2025

Healthy breathing in every room

A healthy lifestyle is inextricably linked to the air we breathe. Air is the first and most important nutrient for all forms of life. On average, a person breathes more than 12,000 litres of air a day.

Choosing to breathe air that is healthy because it is constantly exchanged and purified is essential

Helty is committed to improving air quality everywhere you live and work. Our mission is **to bring healthy breathing everywhere – in homes, offices, classrooms and public places.**

We do this by offering a range of innovative **heat recovery ventilation** solutions for system designers and installers systems. Our decentralised dual-flow systems are stylish, easy to install, energy-efficient and have proven pollutant-reducing effectiveness.

To make the indoor places where we spend most of our time healthier, more pleasant and comfortable.





Table of Contents

	Who is Helty	6
	The Alpac Group	7
	Case History	8
	CasaClima Quality Seal	10
	BioSafe Validation	11
	ErP Directive Compliance	12
	Focus: Indoor Air Quality	14
	How Helty Flow Works	16
	The Flow Range	18
News	Flow-R Line	20
	Wall-mounted HRV	22
	Wall-Mounted HRV – FlowULTRA	42
	Wall-recessed HRV	50
	FlowMANHATTAN HRV for Exterior Cladding	68
News	Community HRVs	76
News	IAQ Indoor Air Quality Sensors	114
	Control Panel	116
News	Helty Home App	118
	Filters and Spare Parts	119
	HCloud	120
	Useful Resources	122
	Environment	122
	Helty Guides	123

© Helty

Helty adopts a continuous product improvement policy and therefore reserves the right to change the design, specifications and data in this catalogue without prior notice. The images are not contractually binding.

Who is Helty

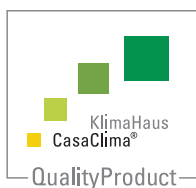
Decentralised HRV to put health and energy efficiency at the core

Helty is the Alpac Group company specialising in **decentralised solutions for heat recovery ventilation and indoor comfort**. We work alongside heating engineers, system designers and installers, plumbing material wholesalers, energy consultants, building health experts and construction companies to **spread the culture of healthy air in living and working environments**. We deal exclusively in heat recovery ventilation (HRV) systems with high air filtration and heat recovery efficiency. **This technology is indispensable** in energy-efficient buildings

and necessary for energy upgrades to **prevent building pathologies, increase the value of the building and safeguard people's comfort and health**. The **HRV solutions are developed and manufactured by Helty entirely in Italy**. They are exclusively of the **continuous dual-flow** type for exchanging the air in rooms constantly in a balanced manner and with variable flow rates. The air is purified by removing pollutants, pollen and particulates.

Certifications and partnerships

Energy efficiency is improved, in addition to comfort, in homes that implement Helty ventilation. The special enthalpy heat recovery ensures **91% heat recovery performance certified by TUV**. The performance of Helty ventilation systems is certified by the **CasaClima HRV Quality Seal and validated by BioSafe**. Helty is a member of **AiCARR, CTI** (Comitato Termotecnico Italiano).





ALPAC®



The Alpac Group: advanced building technologies

The Alpac Group has always been the byword for quality, research and innovation in the world of construction and design. **In over 40 years of business**, we have built – brick by brick – a sound and well-organised company capable of continuously expanding its horizons and proactively responding to construction site needs. We have taken on many important challenges, like the **CityLife project in Milan**, in collaboration with companies and professionals who chose us for our proven ability to

provide high-performance technologies custom-designed for each situation. Experiences like these require commitment, boldness and drive to break the mould and broaden the scope of action each time. Our organisation and state-of-the-art technology allow us to manage complex construction sites in a timely manner, providing all the required documentation and drawing up work progress schedules in agreement with the other site operators. **Alpac has won the Best Managed Companies**

Award promoted by Deloitte to support and reward Italian business excellence from 2019 to 2024.

Case history

Libeskind Citylife residences

Milan, architect
Daniel Libeskind



Former Nardari College building

Treviso, Archi-Plan Studio, renovation and energy upgrades of an early 20th century building in the city centre

Balduina 142

Rome, RDP Costruzioni, Studio Marzullo, Socip, Class A residential building





*Mezzocammino
residential building*

Rome, Studio Transit,
Atlantico Costruzioni



Progetto Sinfonia

Bolzano

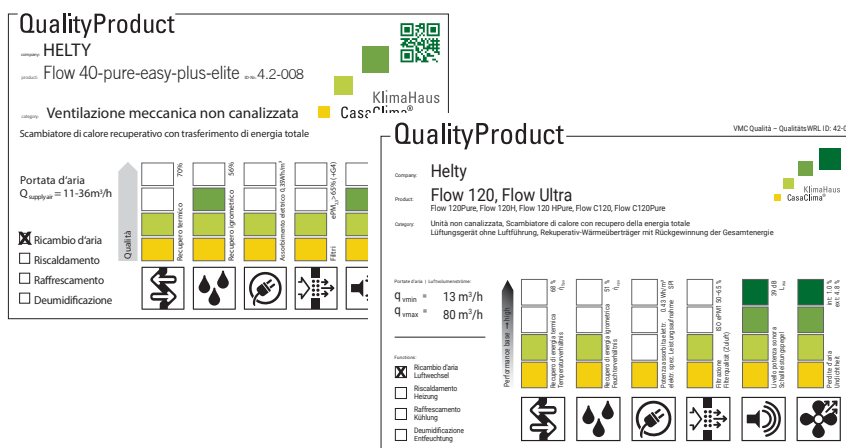


CasaClima Quality Seal

Quality assurance for
customers and designers

The Helty FlowEASY/PLUS/ELITE/ULTRA and the Flow40/120 ventilation systems have been awarded the Product Quality label by the **Bolzano CasaClima Agency**.

The CasaClima product Quality Seal provides **transparent evaluation and informs buyers and designers about the best solutions on the market**. The seal is a reliable and recognised certification in the construction sector, granted only to products that meet the highest quality standards.



More specifically, the **CasaClima HRV Quality Seal** takes into account the five main characteristics of a ventilation system referred to in **UNI EN13141-7/-8**: standards (heat and moisture recovery, electricity consumption, filtration, acoustics and air leakage) assigning a value according to the performance level to each one.

The product description, values and any additional device features of the unit are illustrated on a summary label to guide users in choosing the best solution for their needs.

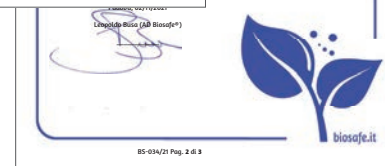
BioSafe Validation

For protecting health and
air quality

Helty Flow systems have passed the test protocol, fully complying with the **BioSafe®** Environmental Health Certification Protocol for verifying, planning and managing the indoor air quality index in energy-efficient buildings.

Through a **patented certification protocol**, Biosafe has subjected Helty Flow HRV solutions to in-depth analysis according to the strictest emission quality standards. The examination was carried out on two levels by **sampling and testing air samples** with CG-MS (pursuant to UNI-EN-ISO 16000-9 and 16000-6) and through **environmental surveys** (pursuant to UNI-EN-ISO 16000-4 and UNI-EN-ISO 16017-2 with reference to UNI-EN 14412 requirements), with product field testing followed by on-site analysis of the effects on indoor air quality.

The Biosafe® Validation Seal is an additional guarantee of **living comfort** in terms of design and indoor comfort once the installation is complete.



ErP Directive Compliance

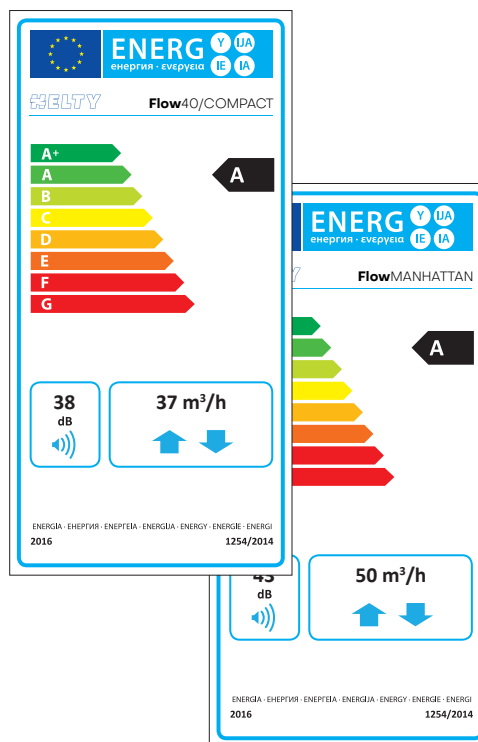
Eco-design and energy labelling

All Hely mechanical ventilation systems fully comply with the energy requirements of the European ErP (Energy Related Products) directive, created to improve the efficiency of devices marketed in the European Union while protecting the environment.

The EU directive has two areas of impact on ventilation systems:

// **Ecodesign Directive 2009/125/EC** imposes minimum energy performance values to be achieved by household appliances. The Ecodesign regulation on ventilation systems (No. 1253/2014) sets out the energy performance requirements for products launched from 1 January 2016. These requirements were consolidated on 1 January 2018.

// **Directive 2010/30/EU Energy Labelling** imposes the energy class assessment of the device (A to G) to promote the purchase of more efficient products.





Indoor air quality

What do we breathe?

Every day **we spend around 90% of our time indoors**, mainly at home and in the workplace. Confined environments have a limited amount of air, which we consume with every breath. A person takes an average of **22,000 breaths per day**, passing about **12,000 litres of air** through their lungs.



Indoor air is up to 20 times more polluted

It is important for our health to breathe clean air, rich in oxygen and free of the pollutants that inevitably accumulate and concentrate in closed, unventilated rooms. As confirmed by multiple studies, **indoor air can be 5 to 20 times more polluted than outdoor air**. Without adequate ventilation, indoor air tends to deteriorate, becoming saturated with harmful substances that can be very dangerous to health. Harmful elements can include **ultra-fine dust, fumes, combustion gases, formaldehyde, volatile organic compounds** released by chemical cleaners, glues and furnishing materials. Furthermore, there are pollutants of biological origin – microorganisms, such as **allergens, moulds, bacteria**, aerosol-borne viruses – and of physical origin, such as the dreaded **radon gas**.

Main pollutants and their impacts on health

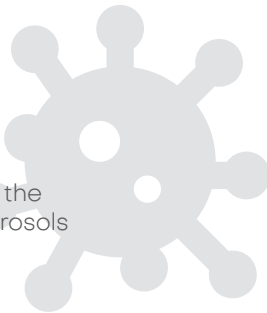


Particulates

causes eye, nose and throat irritation and breathing problems, headaches, fatigue and low concentration. Prolonged contact can lead to heart and respiratory diseases.

Viruses

viruses can be emitted simply by coughing or breathing and linger in the air in the form of bioaerosols for some time



Moulds

release health-damaging spores that cause allergies



Humidity

causes condensation, mould and dust mite proliferation



VOC

airborne substances, including formaldehyde, which may create respiratory tract irritation or central nervous system problems

Radon

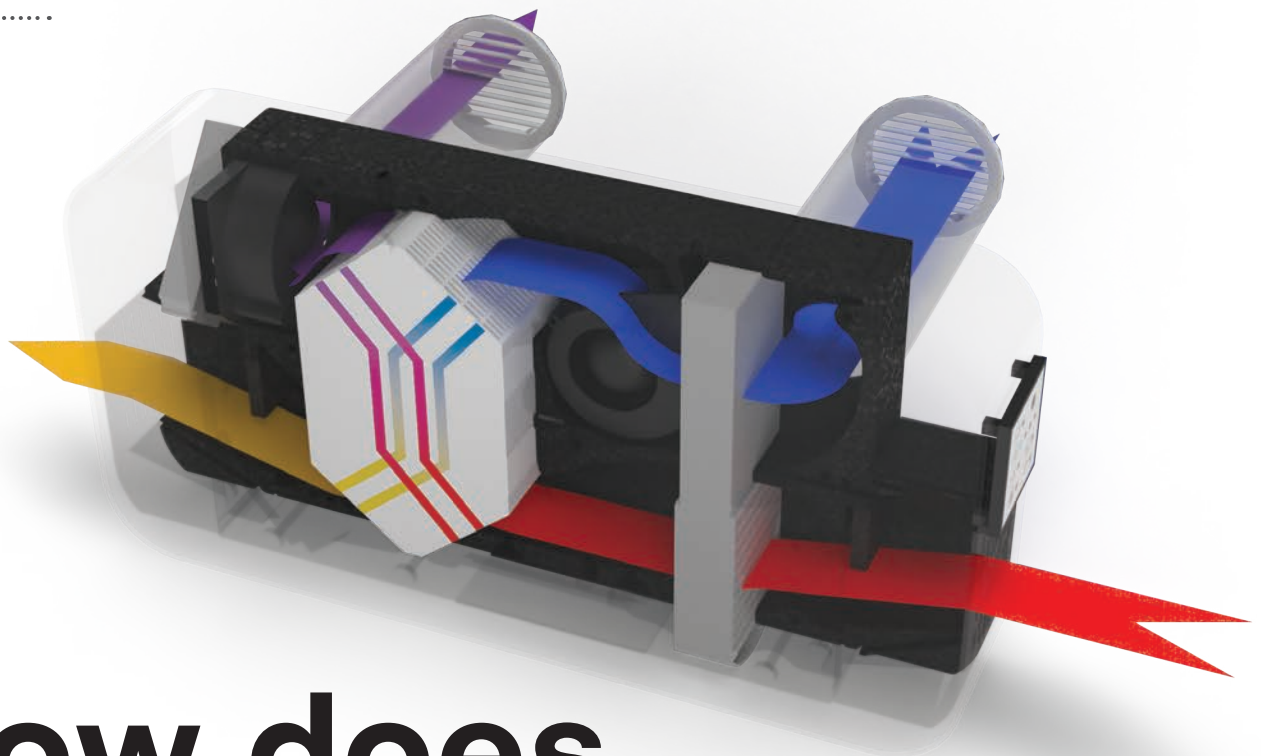
is an odourless and colourless radioactive gas of natural origin released from the soil. It qualifies as the second leading cause of risk for lung cancer



CO₂

in excessive concentrations, such as when feeling the sensation of stale air, causes headaches and difficulty in concentration





- exhaust air aspirated from inside
- stale air expelled outside
- external fresh air
- filtered and pre-heated replenished air

How does it work?

Helty Flow: continuous air exchange and filtration

All Helty ventilation units are **decentralised dual-flow HRVs** with cross-flow countercurrent. **The stale air, laden with humidity and CO₂, is aspirated in from the indoor environment** and fed into the heat exchanger, where – without any contact between the two flows – it surrenders its heat to the incoming airflow, which is brought in from outside at the same time. **The oxygen-**

rich fresh air is pre-heated and purified by a high-performance filter that blocks smog, particulate matter and pollen. This technology allows a **constant and balanced air exchange** in closed rooms for **superior performance** in terms of energy efficiency, air purification and indoor comfort.

Healthiness and energy-saving

Energy saving is maximised by the enthalpy heat exchanger, which **recovers up to 91% of the thermal energy, both in summer and winter** with TÜV SÜD certified performance according to EN 13141-8. The **ePM2.5 65% filter** prevents the ingress of dust and pollen, but also of PM10 and PM2.5 particulate matter, to protect the **healthiness of the air** you breathe in your home. Quiet operation and verified facade noise reduction values contribute to **optimal acoustic comfort**.



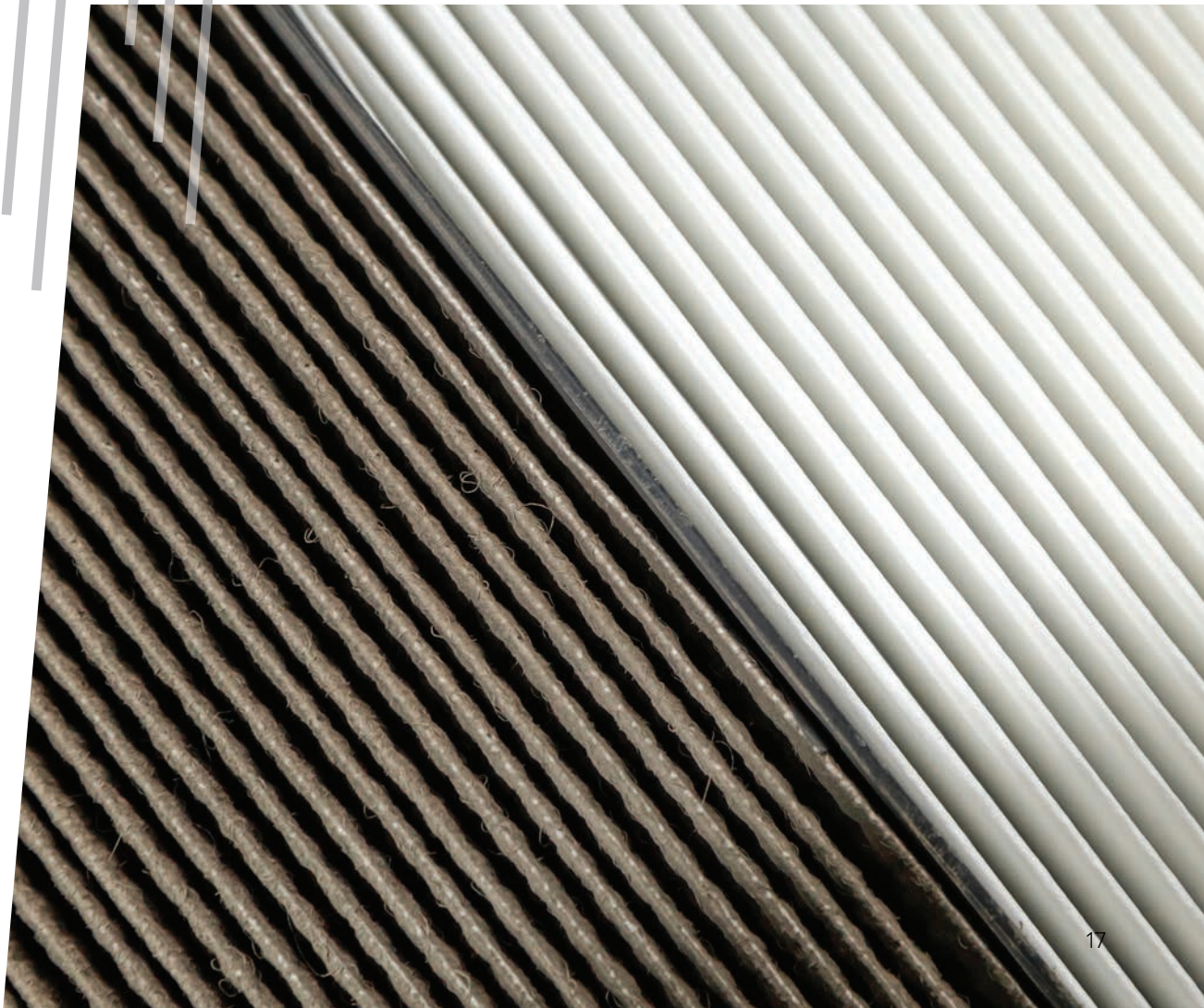
PM10

PM2.5

Purified air

Benefits of HRV

- it guarantees ensures fresh, oxygen-rich air
- it counteracts the airborne spread of viruses and bacteria
- it filters particulates and pollen from the external air
- it removes excess humidity while counteracting condensation and mould problems
- it dilutes CO₂ and pollutants dispersed in indoor air
- it decreases allergens and dust mites
- it reduces fumes and odours
- it mitigates radon gas risk



.....

HRV Flow Range

Wall-mounted

Decentralised systems for retrofitting existing buildings



.....
FlowEASY/EASY-R

.....
FlowPLUS
FlowELITE

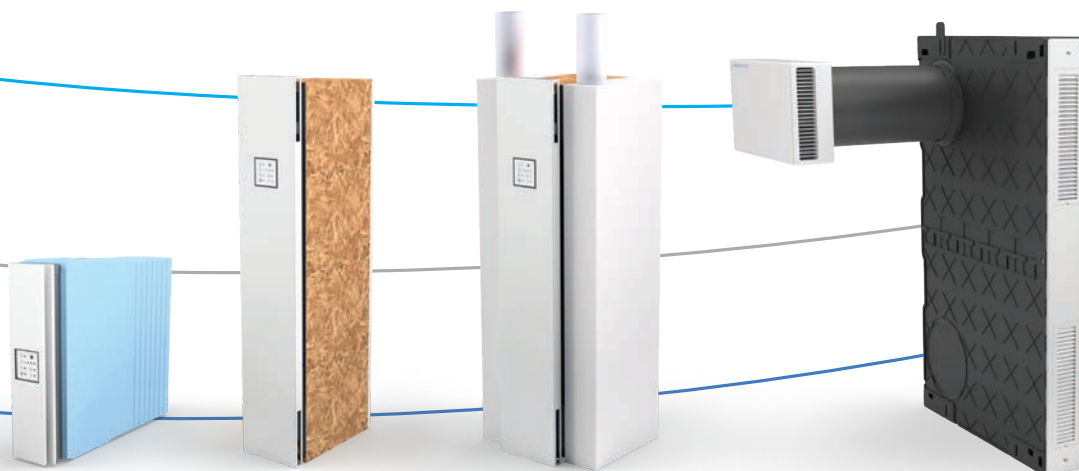
.....
FlowULTRA/ULTRA-R

Wall-recessed

Recessed wall-mounted systems for renovations and new buildings

For energy upgrades

Patented HRV system installed in the exterior cladding, with no impact on the facade



.....
Flow40

.....
Flow120

.....
Flow©120

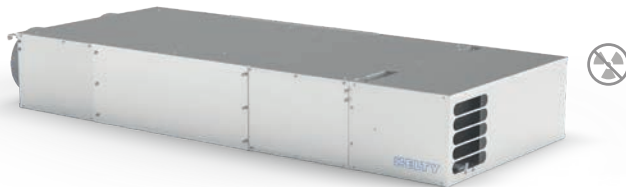
.....
FlowMANHATTAN



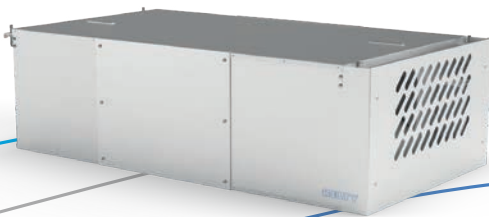
See all product details

Community

Systems for air exchange and sanitisation in schools, offices, laboratories, small shops



Flow400^{Steel}/400-R^{Steel}



Flow600^{Steel}



Flow800/800^{Steel}/800-R^{Steel}
Flow800^{Silent}/M800



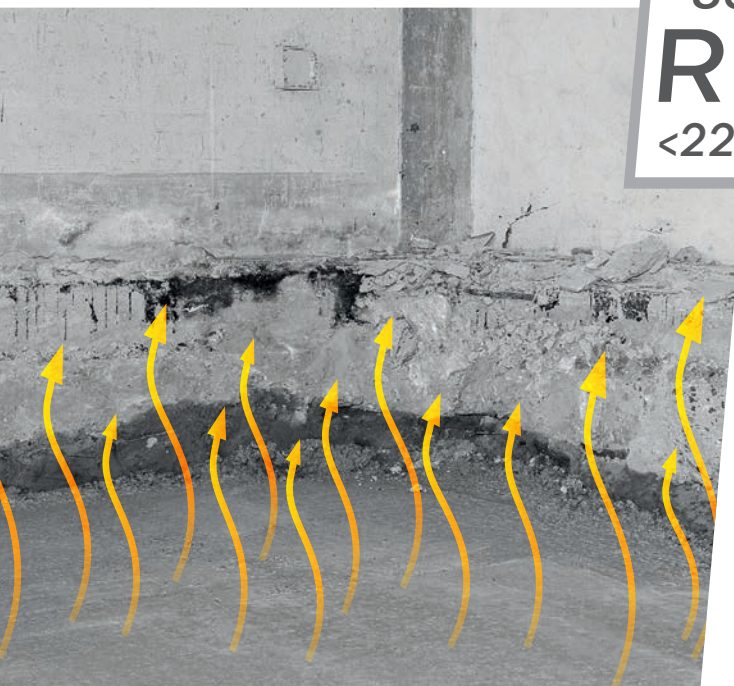
Flow1000/1000^{Steel}
Flow1000^{Silent}/M1000

New Flow-R Line

Dedicated HRV solutions for effective radon risk mitigation

The new **Helty Flow-R** line, an innovative series of **decentralised HRV solutions** dedicated to **radon risk mitigation**, is now available. The R Line includes four different models of ventilation units, designed to effectively meet the needs of risk reduction in homes and businesses:

- // **FlowEASY-R | FlowULTRA-R**
the best solution for wall-mounted retrofit applications in homes
- // **Flow400-R**
perfect for installation in small classrooms and offices
- // **Flow800-R**
designed for retrofit installation in large environments, such as schools and open-plan offices.



HRV for smart radon risk management

Helty's Radon Line products are designed to provide an **effective** and **minimally invasive** solution for **radon risk management**. HRV units can be remotely programmed, setting customised operating scenarios. Alternatively, they can be calibrated on-site according to the radon gas emissivity detected in the environment.



Using the WiFi **cloud panel**, the ULTRA-R, 400-R and 800-R versions allow remote management through the Hely Home app or directly from the HCloud web platform. The **Radon Scenarios** option allows the best management of **radon risk mitigation** through an array of customised unit settings. The intake and extraction airflow rates can be diversified by programming the imbalance



of the unit while maintaining the unbalance settings at different speeds. For these models, the **Radon Monitor sensor** for active gas monitoring, allowing an adaptive and automatic response based on user-programmable intervention thresholds, is also available as an option.

.....

Wall-Mounted HRV

Decentralised systems for retrofitting small rooms in existing buildings



Model	FlowEASY		FlowPLUS	FlowELITE
	STD	R 	STD	STD
Version	STD	R 	STD	STD
Timer	●	-	-	-
Night function	●	●	●	●
Hyperventilation	●	●	●	●
Filter replacement alert	●	●	●	●
Humidity sensor	-	-	●	●
CO ₂ and VOC sensor	-	-	-	●
Radon scenario ⁽¹⁾	-	optional	-	-
Radon sensor ⁽¹⁾	-	optional	-	-
Overpressure operation	-	●	-	-
Color Trust	-	-	●	●
LED lighting	-	-	-	●
IR remote control	●	●	●	●
On/Off LED panel	-	●	●	●
Helty Home App	-	optional ⁽¹⁾	●	●
Code	1VMC01010	1VMC01023	1VMC01012	1VMC01013

1. Cloud control panel connection required





Flow EASY/EASY-R

Compact and functional

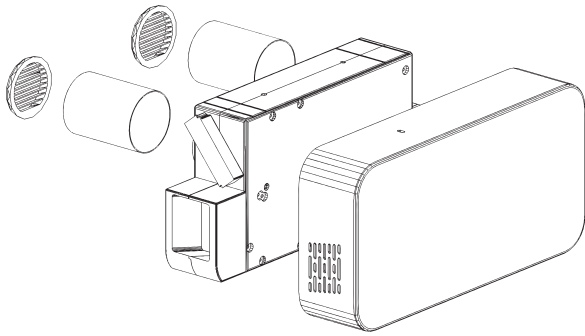
FlowEASY is the starting point of Helyt's decentralised heat recovery ventilation systems. It extracts stale air from indoor environments and injects fresh, oxygenated and clean air through a **special combined ISO Coarse 90% + ePM2.5 65% filter**. The very compact dimensions of FlowEASY make it suitable for installation even in small spaces. The best solution for problem-free retrofits, FlowEASY is designed to bring the advantages and comfort of **continuous dual-flow HRV** to individual

rooms of buildings currently in use, where adequate air exchange is needed even at night by using night mode. The best solution for rooms of up to 20 m², FlowEASY is easily and quickly installed, either horizontally or vertically. Only two 8 cm through holes in the masonry and a power connection are required. Maintenance is reduced to the minimum consisting in replacing the filter independently by the user when indicated by the warning LED on the panel.



*Monitoring radon with
FlowEASY-R*

Designed to address radon mitigation needs in homes effectively, FlowEASY-R is perfect for retrofit application in currently occupied buildings. It is a convenient solution for significantly reducing radon concentrations with the contribution of HRV technology.



It is easy to control it from anywhere in the room using the included infrared remote control.



91%

Heat recovery efficiency



18 dB(A)

Sound pressure



42 m³/h

Maximum airflow



**ISO Coarse 90%
+ ePM2.5 65%**

Intake air filtration



-36.7 kWh/m²a


SEC energy consumption (temperate climate)

Classe Energetica

A



Technical data

Functions and features	UOM	FlowEASY	
		STD	R 
Version			
Timer		●	-
Night function		●	●
Hyperventilation		●	●
Filter replacement alert		●	●
Radon scenario ⁽¹⁾		-	optional
Radon sensor ⁽¹⁾		-	optional
IR remote control		●	●
On/Off LED panel		-	●
Helty Home app ⁽¹⁾		-	optional
Control Panel		on-board	
Airflow rate	m ³ /h	10/17/26/37/42 ⁽²⁾	
Flow adjustment		4 stages + hyperventilation	
Power consumption	W	3.6/5.5/9/17.5/20 ⁽²⁾	
Supply voltage	V AC	230	
Max. current consumption ⁽³⁾	A	0.17	
Weight	kg	7	
Product dimensions (W x H x D)	mm	566 x 280 x 177	
Coring holes	mm	2x Ø80	
Installation orientation		horizontal and vertical	
Heat exchanger		enthalpy with cross-flow countercurrent	
Heat recovery efficiency	%	91	
Bypass (free cooling/free heating)		manual electronic	
Sound power level ⁽⁴⁾	dB(A)	29.5/39.9/42/50.7	
Sound pressure ⁽⁵⁾	dB(A)	18/23.4/30.5/39.2	
Dn,e,W (facade noise abatement)	dB	45	
Intake filter		ISO Coarse 90% + ePM2.5 65%	
Extraction filter		ISO Coarse 70%	
Modbus RTU rs485		-	Yes ⁽⁶⁾
Reference climate		cold / temperate / warm	
Energy efficiency class (cold / temperate / hot)		A+ / A / E	
SEC (cold / temperate / warm)	kWh/m ² a	-73.8 / -36.7 / -13.3	
Leakage rate ⁽⁷⁾		U1	
Sensitivity to pressure variations ⁽⁷⁾		S1	
Internal/external air tightness ⁽⁷⁾		N/A	
Kit		installation manual, user manual, installation template, HRV filter, 2 white external grills, 2 air ducts (Ø80, 500mm), wall mounting kit, IR remote control with batteries	
Code		1VMC01010	1VMC01023

1. Cloud control panel connection required
2. In hyperventilation mode

3. With 230 V AC supply voltage
4. According to UNI 3744:2010

5. Measured in a 30 m² semi-anechoic environment at a distance of 3 m
6. The Cloud control panel functions are lost
7. In accordance with EN 13141-8:2014-09

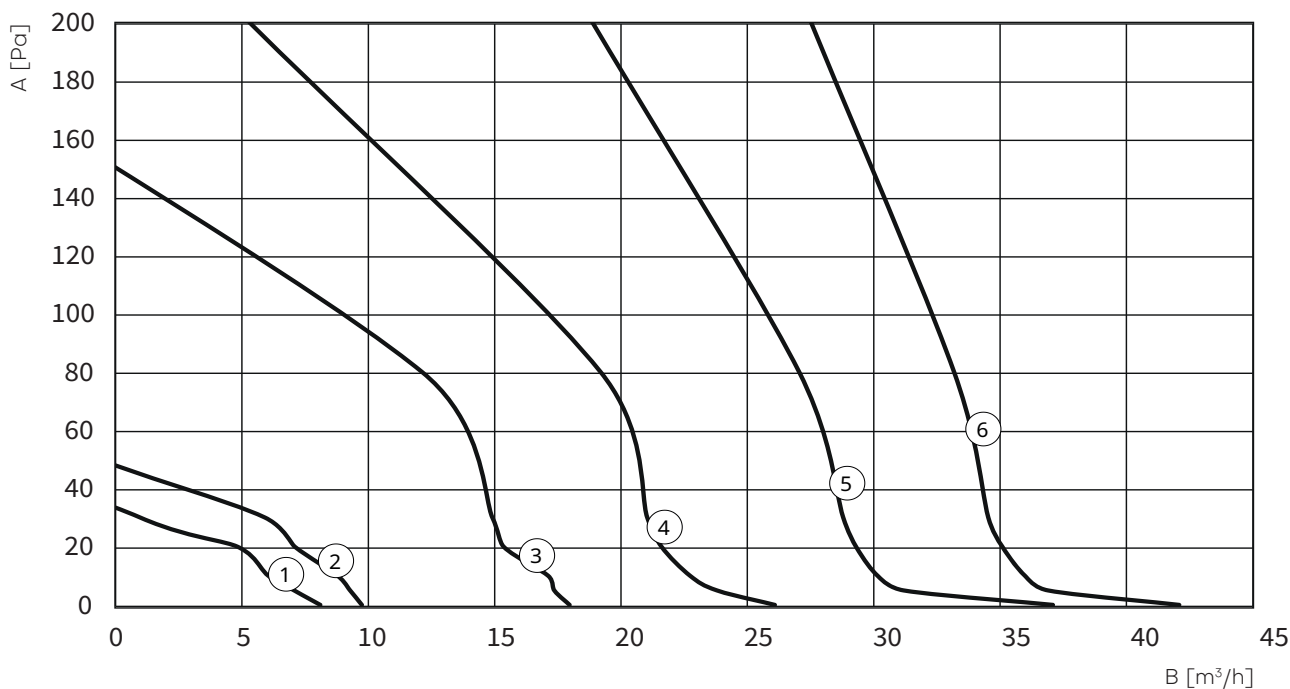
Accessories and spare parts

Article	Type	Code
FlowEASY template	Accessories	4MKT00000729
Weak walls fixing plate	Accessories	1VMC99771
IR remote control	Accessories	4VMC00000900
Cloud control panel + cable 800 mm	Accessories	1VMC99140
100 mm HRV wall gasket	Accessories	1VMC99027
Window-side outlet + wall-mounted HRV grills	Accessories	1VMC99130
External grills Ø80 mm plastic	Spare parts	1PVCVMC00020
External grills Ø100 mm plastic	Spare parts	1PVCVMC00011
Tube L 500 mm + 2x grills Ø80 mm	Spare parts	1VMC99048
Tube L 500 mm + 2x grills Ø100 mm	Spare parts	1VMC99901
Radon monitor ⁽¹⁾	Accessories	4VMC00000901
CO ₂ monitor ⁽¹⁾	Accessories	4VMC00000902
IAQ monitor ⁽¹⁾	Accessories	4VMC00000903
ePM1 80% + Coarse 70% Flow40 x10 filter	Filters	1VMC99772
ePM1 80% + Coarse 70% Flow40 x30 filter	Filters	1VMC99773
ePM2.5 65% + Coarse 70% Flow40 x10 filter	Filters	2VMC00000098
ePM2.5 65% + Coarse 70% Flow40 x30 filter	Filters	2VMC00000092

1. Cloud Control Panel required

Flow-head charts

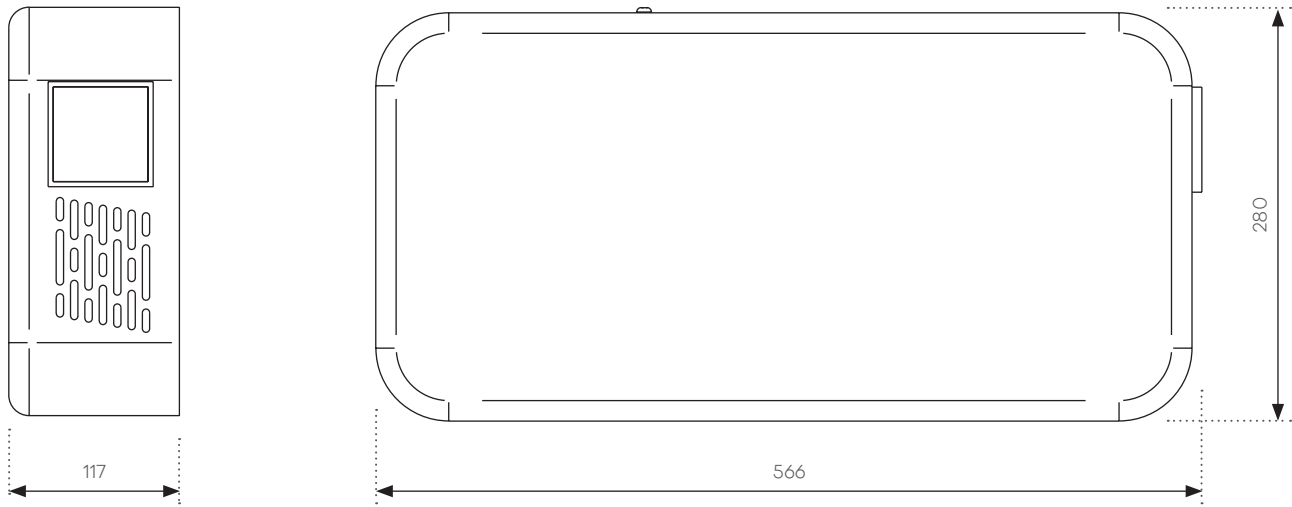
A Head 1 Super-minimum speed (night) 3 Speed 2 5 Speed 4
 B Flow rate 2 Speed 1 4 Speed 3 6 Hyperventilation



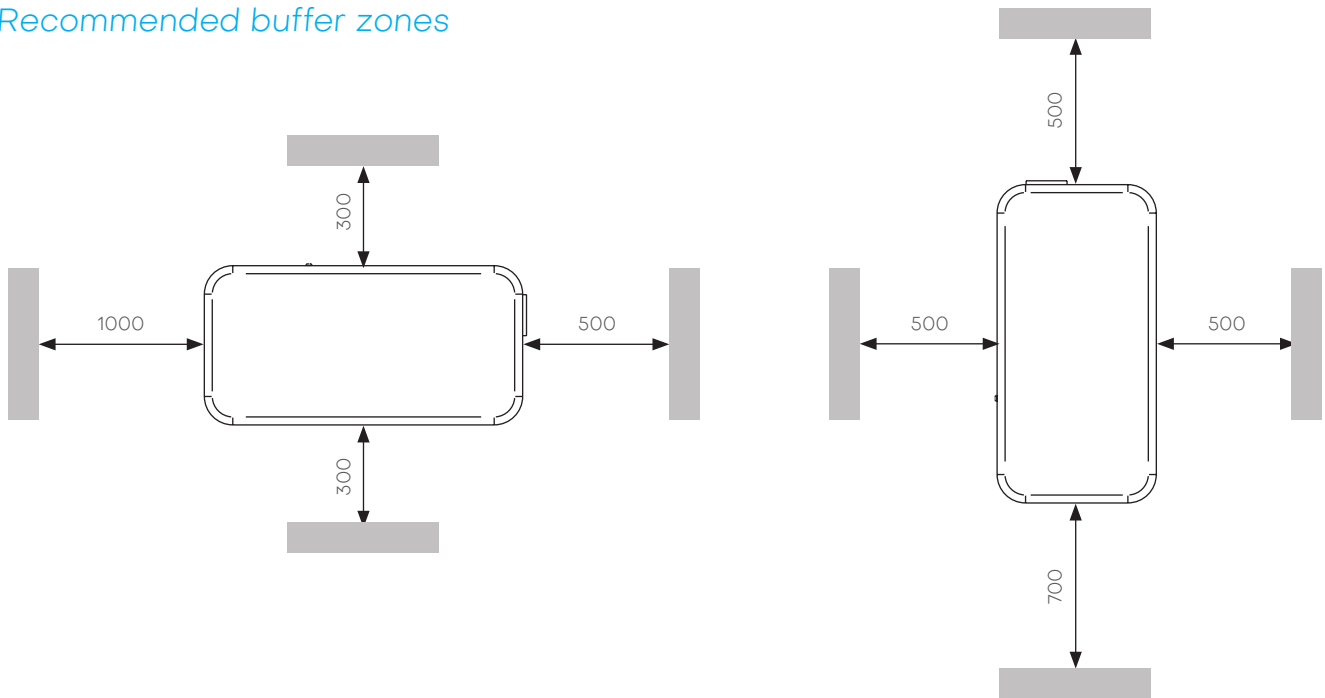
.....



Dimensional drawings



Recommended buffer zones







Flow PLUS

Automatic and silent

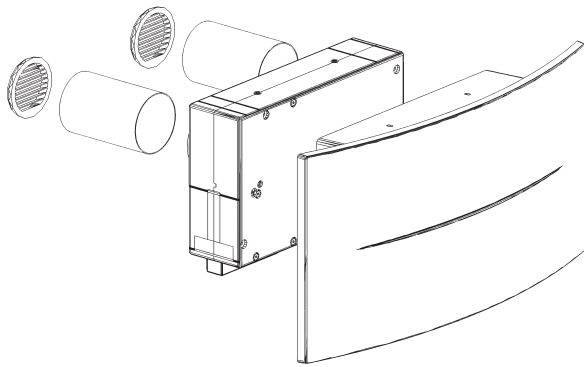
Helty FlowPLUS is a continuous dual-flow point HRV with **enthalpy heat recovery** and high-performance air filtration. The unit is equipped with an on-board **hygrometric sensor for monitoring the humidity level and automatically adjusting the ventilation** to counteract condensation and mould formation. Characterised by a **streamlined, essential style**, it is easily installed on perimeter masonry without invasive intervention.

Fitted with an enthalpy heat exchanger, the system **recovers up to 91% of the heat** from the outgoing air, using it to heat the incoming air before feeding it into the rooms. With a **sound pressure of 18dB at minimum speed**, it is incredibly quiet. The night function makes it undetectable while sleeping.



Humidity always under control

In addition to the panel and remote control, the HRV unit can be managed remotely using the Helty Home app. The new mobile application can be used to regulate the operation of the unit and keep the indoor temperature and humidity values under control at all times.



Humidity sensor for automatic ventilation adjustment.



It is easy to control it from anywhere in the room using the included infrared remote control.



91%

Heat recovery efficiency



18 dB(A)

Sound pressure



42 m³/h

Maximum airflow



**ISO Coarse 90%
+ ePM2.5 65%**

Intake air filtration



-36.7 kWh/m²a

SEC energy consumption (temperate climate)

Classe Energetica

A



Technical data

Functions and features	UOM	FlowPLUS
Night function		●
Hyperventilation		●
Filter replacement alert		●
Humidity sensor		●
Color Trust		●
IR remote control		●
On/Off LED panel		●
Helty Home App		●
Control Panel		on-board
Airflow rate	m ³ /h	10/17/26/37/42 ⁽¹⁾
Flow adjustment		4 stages + hyperventilation
Power consumption	W	3.6/5.5/9/17.5/20 ⁽²⁾
Supply voltage	V AC	230
Max. current consumption ⁽²⁾	A	0.17
Weight	kg	8
Product dimensions (W x H x D)	mm	695 x 353 x 152
Coring holes	mm	2x Ø80
Installation orientation		horizontal and vertical
Heat exchanger		enthalpy with cross-flow countercurrent
Heat recovery efficiency	%	91
Bypass (free cooling/free heating)		manual electronic
Sound power level ⁽³⁾	dB(A)	29.5/39.9/42/50.7
Sound pressure ⁽⁴⁾	dB(A)	18/23.4/30.5/39.2
Dn,e,W (facade noise abatement)	dB	45
Intake filter		ISO Coarse 90% + ePM2.5 65%
Extraction filter		ISO Coarse 70%
Modbus RTU rs485		Yes ⁽⁵⁾
Reference climate		cold / temperate / warm
Energy efficiency class (cold / temperate / hot)		A+ / A / E
SEC (cold / temperate / warm)	kWh/m ² a	-74.1 / -37.9 / -14.6
Leakage rate ⁽⁶⁾		U1
Sensitivity to pressure variations ⁽⁶⁾		S1
Internal/external air tightness ⁽⁶⁾		N/A
Kit		installation manual, user manual, installation template, HRV filter, 2 white external grills, 2 air ducts (Ø80, 500mm), wall mounting kit, IR remote control with batteries
Code		1VMC01012

1. In hyperventilation mode
2. With 230 V AC supply voltage

3. According to UNI 3744:2010
4. Measured in a 30 m² semi-anechoic environment at a distance of 3 m

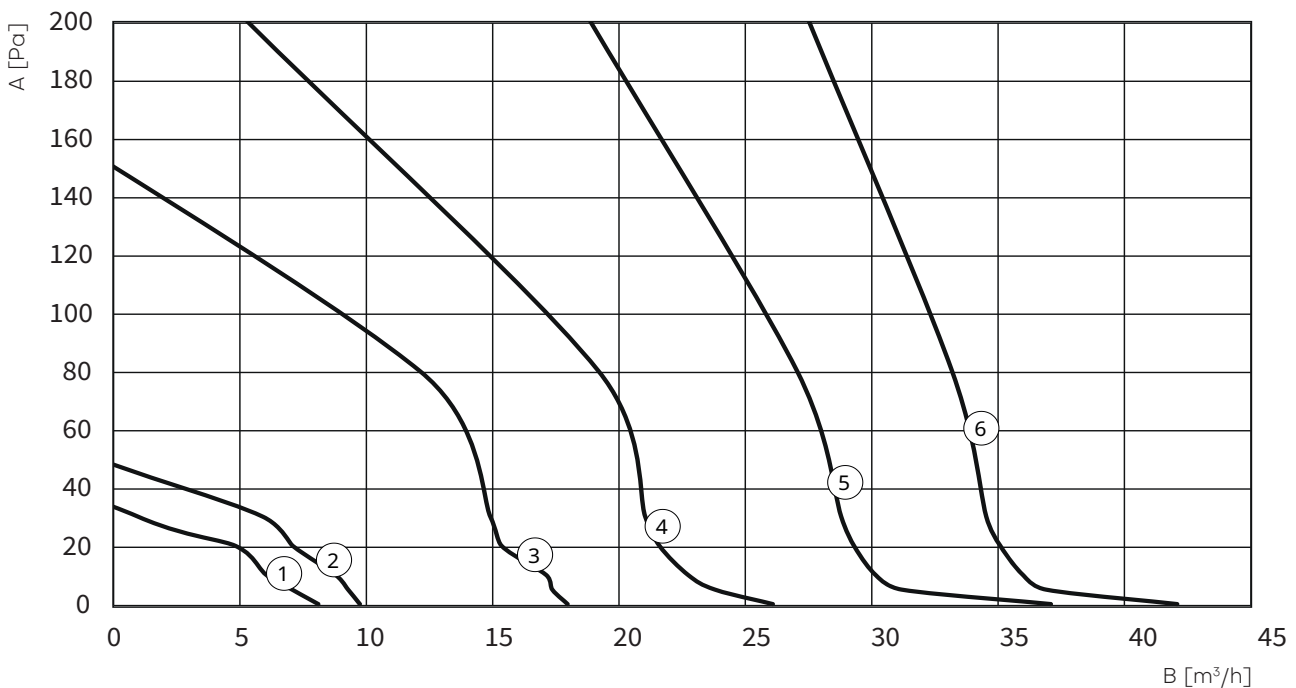
5. The Cloud control panel functions are lost
6. In accordance with EN 13141-8:2014-09

Accessories and spare parts

Article	Type	Code
FlowPLUS/ELITE template	Accessories	4MKT00000730
IR remote control	Accessories	4VMC00000900
100 mm HRV wall gasket	Accessories	1VMC99027
Weak walls fixing plate	Accessories	1VMC99771
Window-side outlet + wall-mounted HRV grills	Accessories	1VMC99130
External grills Ø80 mm plastic	Spare parts	1PVCVMC00020
External grills Ø100 mm plastic	Spare parts	1PVCVMC00011
Tube L 500 mm + 2x grills Ø80 mm	Spare parts	1VMC99048
Tube L 500 mm + 2x grills Ø100 mm	Spare parts	1VMC99901
ePM1 80% + Coarse 70% Flow40 x10 filter	Filters	1VMC99772
ePM1 80% + Coarse 70% Flow40 x30 filter	Filters	1VMC99773
ePM2.5 65% + Coarse 70% Flow40 x10 filter	Filters	2VMC00000098
ePM2.5 65% + Coarse 70% Flow40 x30 filter	Filters	2VMC00000092

Flow-head charts

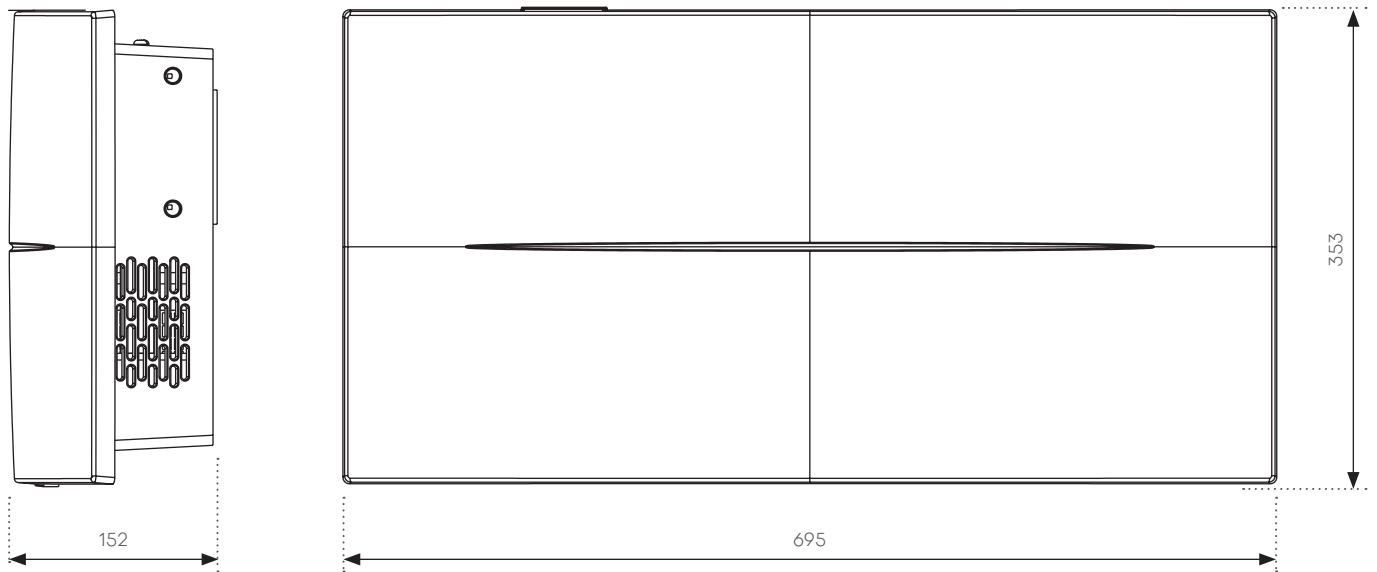
A Head **1** Super-minimum speed (night) **3** Speed 2 **5** Speed 4
B Flow rate **2** Speed 1 **4** Speed 3 **6** Hyperventilation



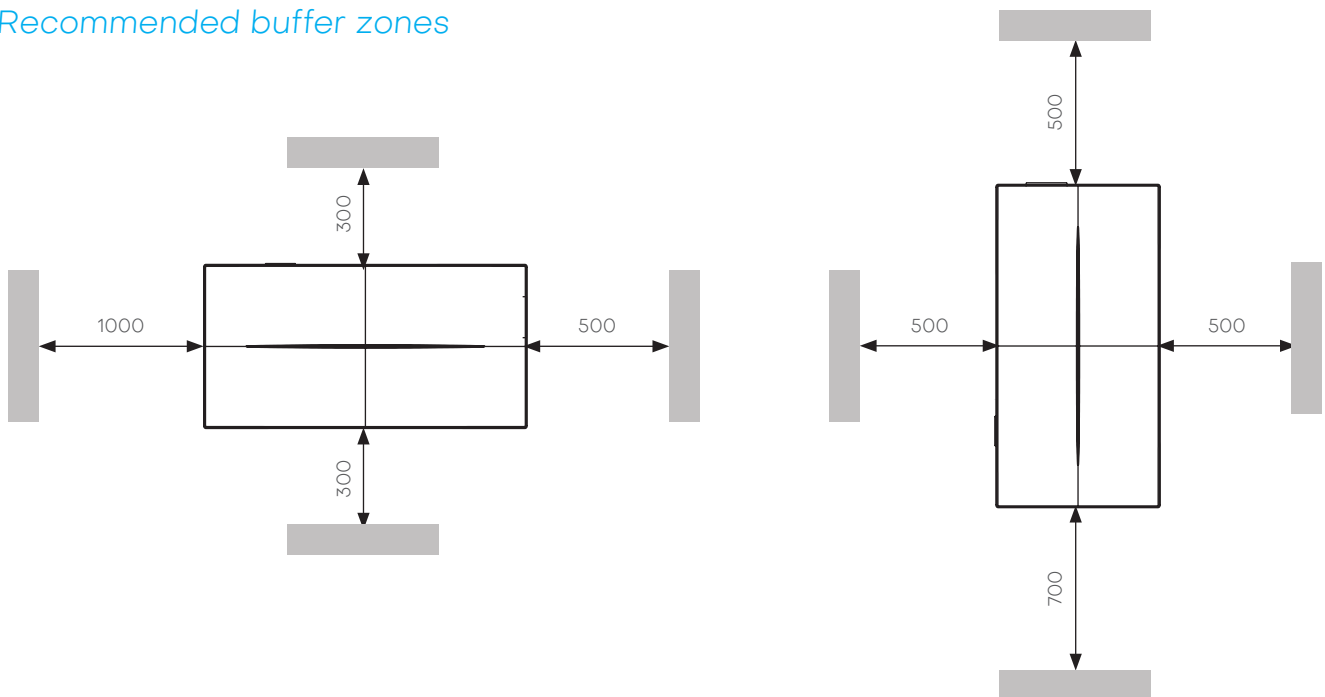
.....



Dimensional drawings



Recommended buffer zones







Flow ELITE

Elegant and smart

FlowELITE is equipped with a humidity sensor, CO₂ and VOC sensor, Color Trust technology, LED lighting kit and control functions via mobile app.

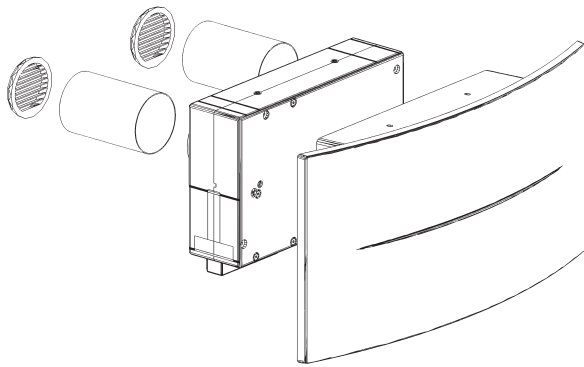
Like the other Flow models, it guarantees high heat recovery and pollutant filtration performance. Advanced features make it a **furnishing element that adds a stylish touch to rooms while ensuring comfort and well-being.**

The design cover integrates **dimnable and time-controllable LED** lights on the sides that create atmospheric accessory lighting, particularly suitable for living room installations. Performance is automatically modulated by the **hygrometric** sensor and the **CO₂ and VOC** sensor to prevent excessive pollutant concentrations and increase air renewal for improved oxygenation.



Healthy air at your fingertips

The **Color Trust light sensor** signals the **air quality** in the home, informing the user simply when pollutant values are too high. The new **Helty Home app** makes using the HRV even easier, allowing remote management of ventilation systems and providing real-time indoor air quality readings.



Sensors for automatic humidity, CO₂ and VOC management



Dimmable LED light kit.



It is easy to control it from anywhere in the room using the included infrared remote control.



91%

Heat recovery efficiency



18 dB(A)

Sound pressure



42 m³/h

Maximum airflow



**ISO Coarse 90%
+ ePM2.5 65%**

Intake air filtration



-36.7 kWh/m²a

SEC energy consumption (temperate climate)

Classe Energetica

A



Technical data

Functions and features	UOM	FlowELITE
Night function		●
Hyperventilation		●
Filter replacement alert		●
Humidity sensor		●
CO ₂ and VOC sensor		●
Color Trust		●
LED lighting		●
IR remote control		●
On/Off LED panel		●
Helty Home App		●
Control Panel		on-board
Airflow rate	m ³ /h	10/17/26/37/42 ⁽¹⁾
Flow adjustment		4 stages + hyperventilation
Power consumption	W	3.6/5.5/9/17.5/20 ⁽¹⁾
LED light consumption	W	12
LED light colour temperature	K	4000
Maximum light intensity	lm	1000
Supply voltage	V AC	230
Max. current consumption ⁽²⁾	A	0.17
Weight	kg	8
Product dimensions (W x H x D)	mm	695 x 353 x 152
Coring holes	mm	2x Ø80
Installation orientation		horizontal and vertical
Heat exchanger		enthalpy with cross-flow countercurrent
Heat recovery efficiency	%	91
Bypass (free cooling/free heating)		manual electronic
Sound power level ⁽³⁾	dB(A)	29.5/39.9/42/50.7
Sound pressure ⁽⁴⁾	dB(A)	18/23.4/30.5/39.2
Dn,e,W (facade noise abatement)	dB	45
Intake filter		ISO Coarse 90% + ePM2.5 65%
Extraction filter		ISO Coarse 70%
Modbus RTU rs485		Yes ⁽⁵⁾
Reference climate		cold / temperate / warm
Energy efficiency class (cold / temperate / hot)		A+ / A / E
SEC (cold / temperate / warm)	kWh/m ² a	-74.1 / -37.9 / -14.6
Leakage rate ⁽⁶⁾		U1
Sensitivity to pressure variations ⁽⁶⁾		S1
Internal/external air tightness ⁽⁶⁾		N/A
Kit		installation manual, user manual, installation template, HRV filter, 2 white external grills, 2 air ducts (Ø80, 500 mm), wall mounting kit, IR remote control with batteries
Code		1VMC01013

1. In hyperventilation mode
2. With 230 V AC supply voltage

3. According to UNI 3744:2010
4. Measured in a 30 m² semi-anechoic environment at a distance of 3 m

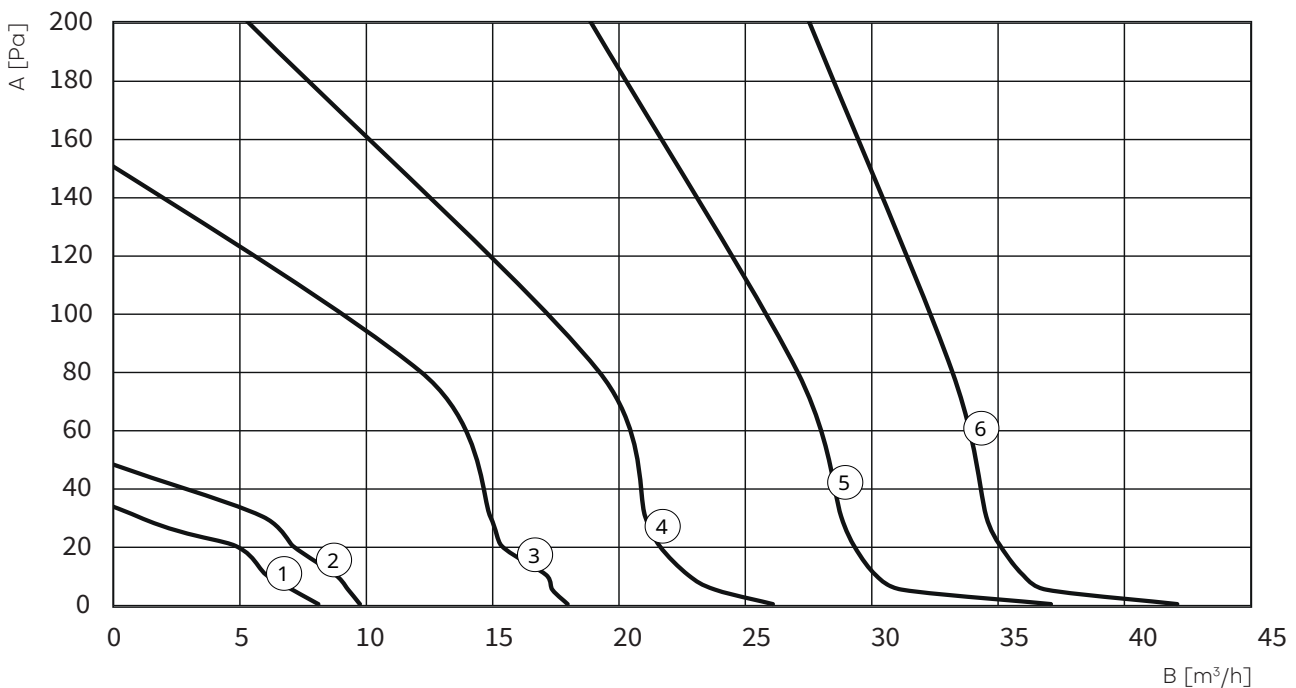
5. The Cloud control panel functions are lost
6. In accordance with EN 13141-8:2014-09

Accessories and spare parts

Article	Type	Code
FlowPLUS/ELITE template	Accessories	4MKT00000730
IR remote control	Accessories	4VMC00000900
100 mm HRV wall gasket	Accessories	1VMC99027
Weak walls fixing plate	Accessories	1VMC99771
Window-side outlet + wall-mounted HRV grills	Accessories	1VMC99130
External grills Ø80 mm plastic	Spare parts	1PVCVMC00020
External grills Ø100 mm plastic	Spare parts	1PVCVMC00011
Tube L 500 mm + 2x grills Ø80 mm	Spare parts	1VMC99048
Tube + grills Ø100 mm L 500mm x2	Spare parts	1VMC99901
ePM1 80% + Coarse 70% Flow40 x10 filter	Filters	1VMC99772
ePM1 80% + Coarse 70% Flow40 x30 filter	Filters	1VMC99773
ePM2.5 65% + Coarse 70%Flow40 x10 filter	Filters	2VMC00000098
ePM2.5 65% + Coarse 70% Flow40 x30 filter	Filters	2VMC00000092

Flow-head charts

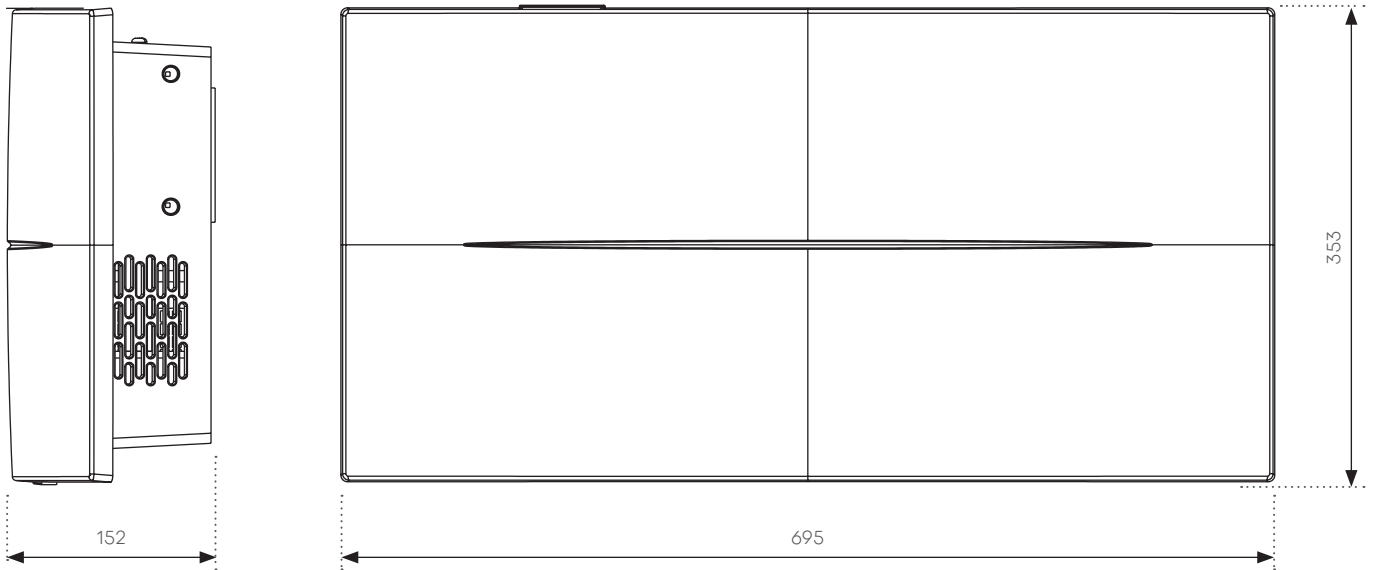
A Head **1** Super-minimum speed (night) **3** Speed 2 **5** Speed 4
B Flow rate **2** Speed 1 **4** Speed 3 **6** Hyperventilation



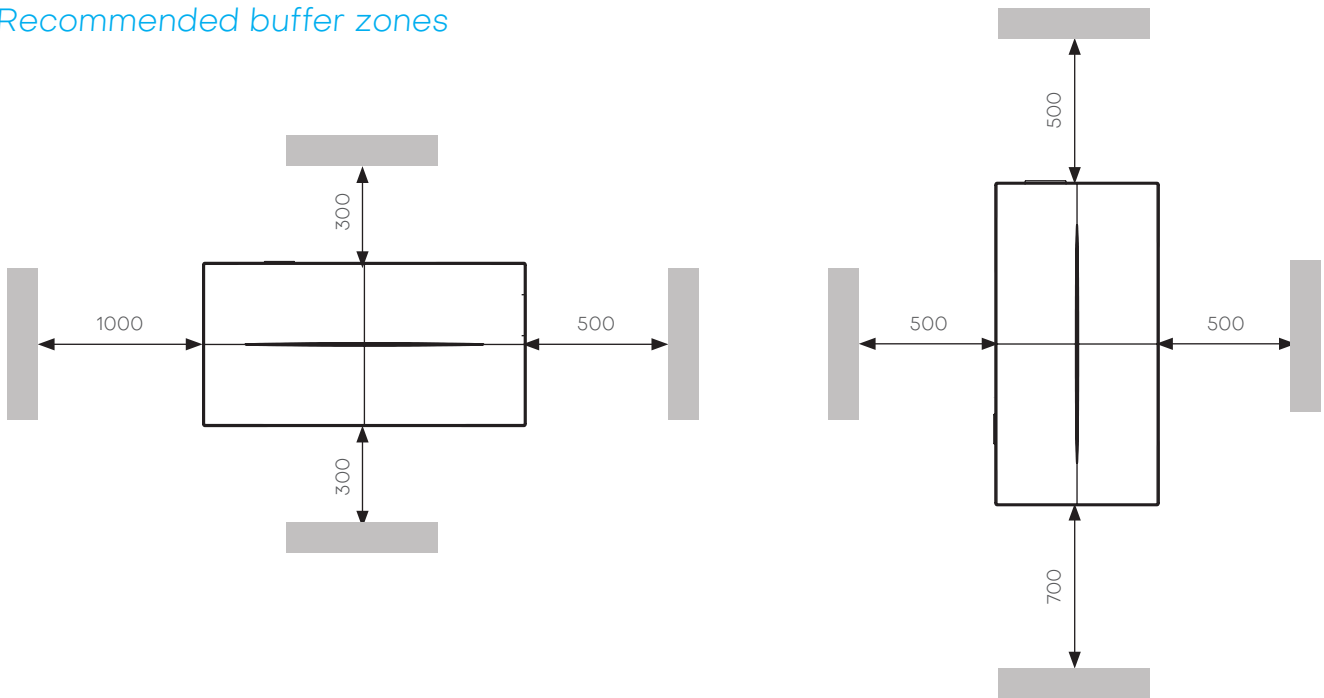
.....



Dimensional drawings



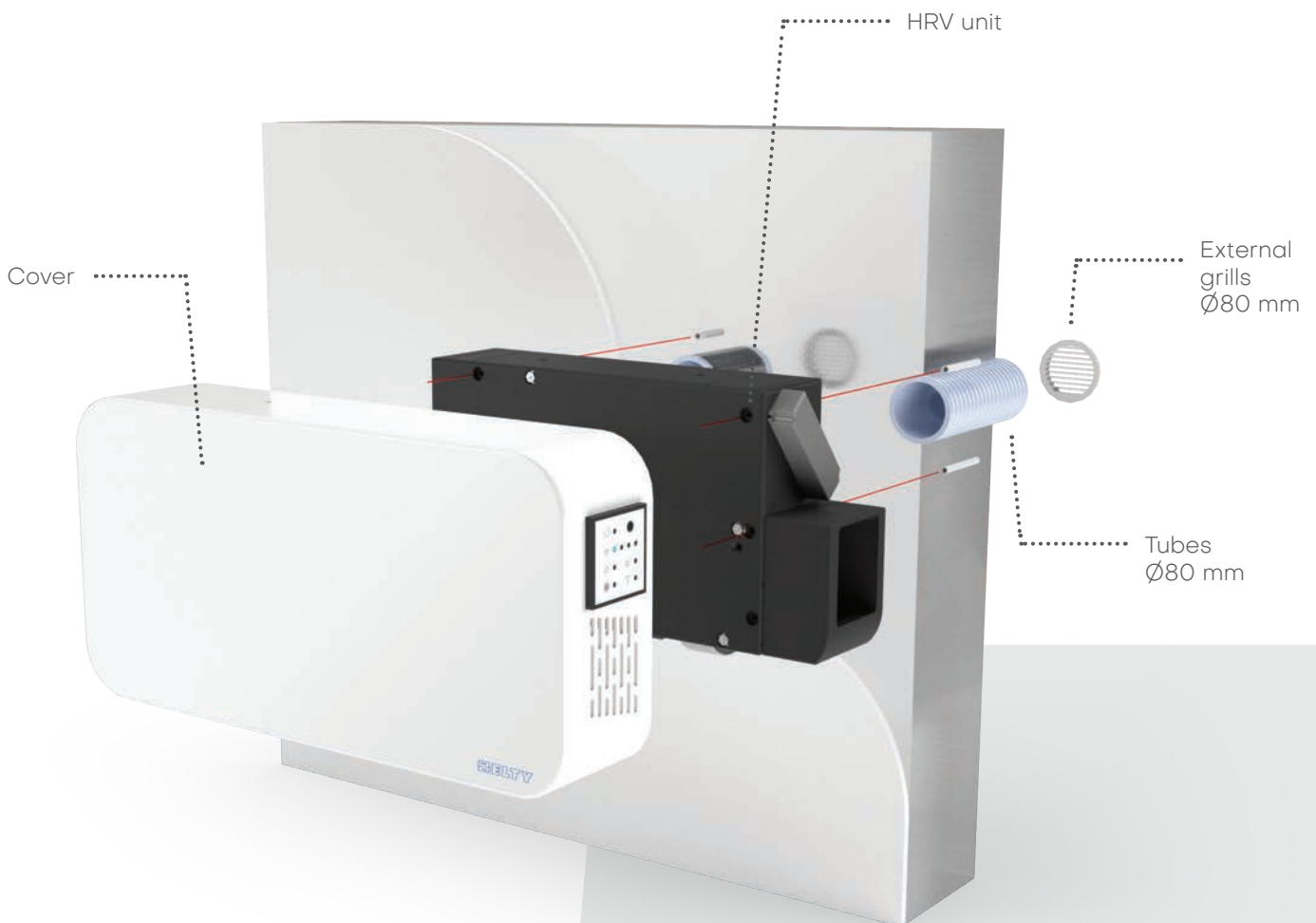
Recommended buffer zones



Wall-mounted HRV

Wall-mounted HRV systems allow plug-and-play installation. Installation requires two small 80-mm coring holes in the masonry, inserting and sealing the tubes in the masonry section, fixing the unit to the wall with pressure screws, electrical connection and positioning the grills outside. **The grills can be installed directly from inside the house using the 100 mm ducting kit (optional).**

See the instruction manual for more details. For the best air distribution and optimal acoustic comfort, it is recommended to install the unit at a central point on a wall of the room to be ventilated, as high as possible (compatible with the recommended minimum distances), preferably in a horizontal configuration.




.....

Wall-Mounted HRV

Decentralised systems for retrofitting medium-sized rooms in existing buildings



Model	FlowULTRA			
Version	STD	Plus	Elite	R 
Night function	●	●	●	●
Hyperventilation	●	●	●	●
Filter replacement alert	●	●	●	●
Humidity sensor	-	●	●	-
CO ₂ and VOC sensor	-	-	●	-
Radon scenario	-	-	-	●
Radon sensor ⁽¹⁾	-	-	-	optional
IR remote control	●	●	●	●
On/Off LED panel	●	●	●	●
Helty Home App	-	●	●	●
Code	1VMC02011	1VMC02012	1VMC02013	1VMC02016

1. Cloud control panel connection required, in the Ultra-R the Cloud control panel is included.





Flow ULTRA/ULTRA-R

Ideal for HRV retrofit in living spaces and small offices

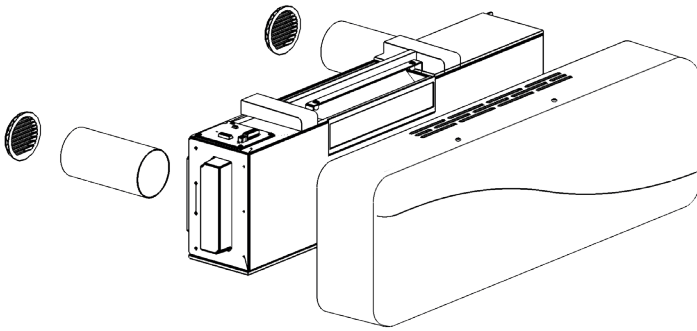
FlowULTRA is the evolution of retrofit HRV with wall-mounted installation dictated by the need to **ensure proper air exchange in recently upgraded contexts**, while safeguarding the energy efficiency provided by the insulation of the building envelope. A continuous dual-flow ventilation unit designed to serve individual rooms, with **adjustable airflow rates between 15 and 120 m³/h**. Installed with two 100 mm coring holes, FlowULTRA is supplied as standard with a white ABS cover for a neat connection to the existing environment. A solution designed to **meet the needs for healthy air in medium-sized rooms**, small offices, professional offices, medical surgeries and open-plan spaces.

The continuous exchange action, combined with the very high air filtration capacity of the **ePM2.5 65% filter**, ensures a healthier and more comfortable environment, preventing particulates, smog, spores, pollen and allergens from entering from outside. Energy savings are guaranteed by the **heat recovery unit with efficiency of up to 88%**. Effective in preventing condensation and mould, FlowULTRA is also ideal for **application in basements and cellars**. The air pipes can be partially ducted using a special optional kit to maximise installation flexibility.



FlowULTRA-R, your ally against radon

The **FlowULTRA-R** version is designed to help **contain the radon risk** by effectively diluting the gas. This solution is particularly suitable for **retrofit applications in basements** and all high-risk contexts. **Available with CO₂ and VOC sensors**, the HRV unit can be managed remotely via the **Helty Home app** setting customised scenarios and exporting data history.



Sensors for automatic humidity, CO₂ and VOC management



It is easy to control it from anywhere in the room using the included infrared remote control.



88%

Heat recovery efficiency



19.5 dB(A)

Sound pressure



120 m³/h

Maximum airflow



ePM2.5 65%

Intake air filtration



-36.7 kWh/m²a


SEC energy consumption (temperate climate)

Classe Energetica

A



Technical data

Functions and features	UOM	FlowULTRA			
		STD	Plus	Elite	R 
Version					
Night function		●	●	●	●
Hyperventilation		●	●	●	●
Filter replacement alert		●	●	●	●
Humidity sensor		-	●	●	-
CO ₂ and VOC sensor		-	-	●	-
Radon scenario		-			●
Radon sensor ⁽¹⁾		-			optional
IR remote control		●	●	●	●
On/Off LED panel		●	●	●	●
Helty Home App		-	●	●	●
Control Panel		on-board			
Airflow rate	m ³ /h	13/30/45/60/80/120 ⁽²⁾			
Flow adjustment		night + 4 stages + hyperventilation			
Power consumption	W	3/6/9/13/23/55 ⁽²⁾			
Supply voltage	V AC	230			
Max. current consumption ⁽³⁾	A	0.45			
Weight	kg	12			
Product dimensions (W x H x D)	mm	1000 x 320 x 180			
Coring holes	mm	2x Ø100			
Installation orientation		horizontal			
Heat exchanger		enthalpy with cross-flow countercurrent			
Heat recovery efficiency	%	88			
Bypass (free cooling/free heating)		manual electronic			
Sound power level ⁽⁴⁾	dB(A)	31/36/43/48/55/63 ⁽²⁾			
Sound pressure ⁽⁵⁾	dB(A)	19.5/24.5/31.5/36.5/43.5/51.5 ⁽²⁾			
Dn,e,W (facade noise abatement)	dB	45			
Intake filter		ePM2.5 65%			
Extraction filter		ISO Coarse 60%			
Modbus RTU rs485		Yes ⁽⁶⁾			
Reference climate		cold / temperate / warm			
Energy efficiency class (cold / temperate / hot)		A+ / A / E			
SEC (cold / temperate / warm)	kWh/m ² a	-74.5 / -39 / -16.1			
Leakage rate ⁽⁷⁾		U2			
Sensitivity to pressure variations ⁽⁷⁾		S1			
Internal/external air tightness ⁽⁷⁾		N/A			
Kit		installation manual, user manual, installation template, HRV filter, 2 white external grills, 2 air ducts (Ø100, 500 mm), wall mounting kit, IR remote control with batteries			
Code		1VMC02011	1VMC02012	1VMC02013	1VMC02016

1. Cloud control panel connection required
2. In hyperventilation mode

3. With 230 V AC supply voltage
4. According to UNI 3744:2010

5. Measured in a 30 m² semi-anechoic environment at a distance of 3 m
6. The Cloud control panel functions are lost
7. In accordance with EN 13141-8:2014-09

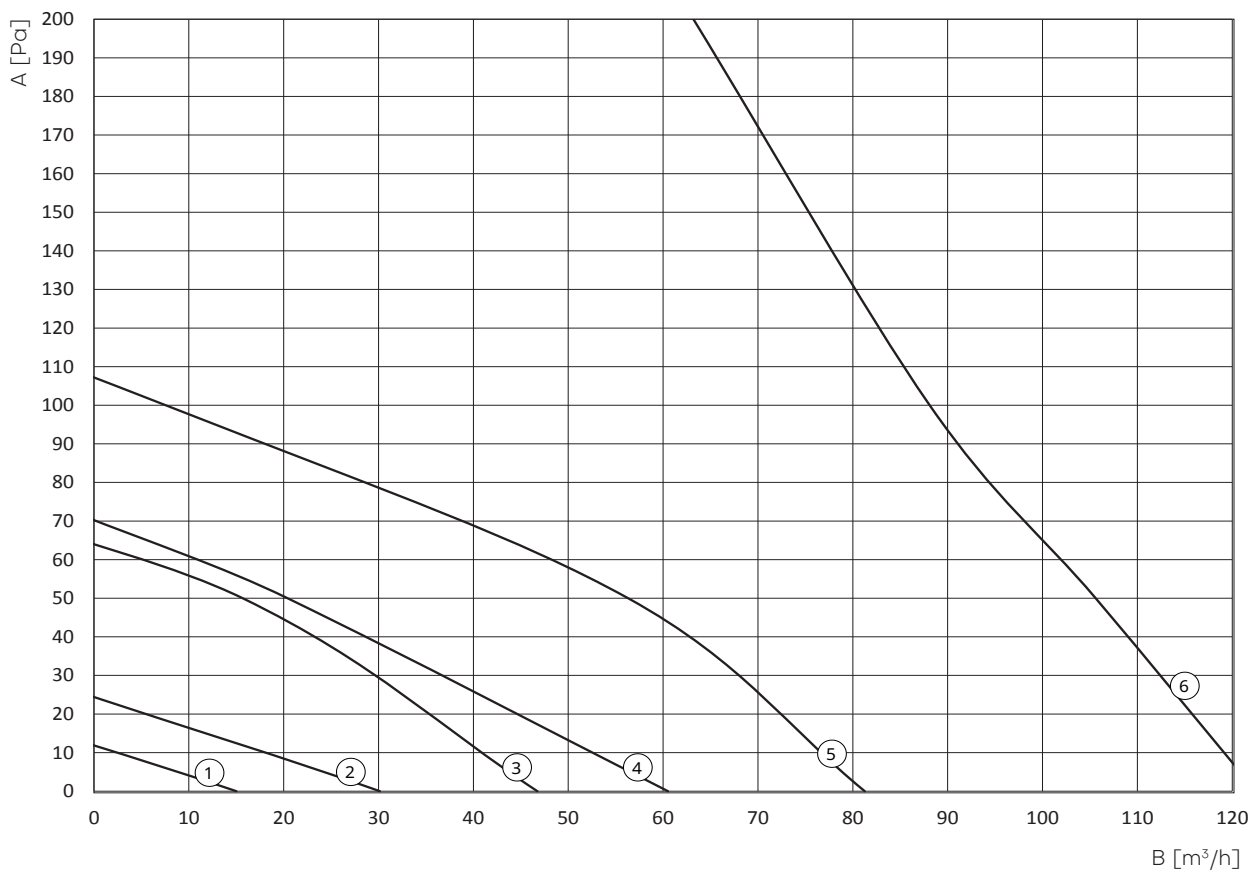
Accessories and spare parts

Article	Type	Code
FlowULTRA template	Accessories	4MKT00000868
FlowULTRA tube adapter 120x60 mm	Accessories	1VMC99135
External grills Ø100 mm aluminium	Accessories	4VMC00000762
Tube L 500 mm + 2x grills Ø100 mm	Accessories	1VMC99901
IR remote control	Accessories	4VMC00000900
Radon monitor ⁽¹⁾	Accessories	4VMC00000901
CO ₂ monitor ⁽¹⁾	Accessories	4VMC00000902
IAQ monitor ⁽¹⁾	Accessories	4VMC00000903
ePM2.5 65% + Coarse 60% Flow120 x5 filter	Filters	1VMC06013
ePM2.5 65% + Coarse 60% Flow120 x10 filter	Filters	1VMC06012
Coarse 60% Flow120 x5 filter	Filters	1VMC06015
Coarse 60% Flow120 x10 filter	Filters	1VMC06014
ePM1 80% Flow120 x5 filter	Filters	1VMC06018
ePM1 80% Flow120 x10 filter	Filters	1VMC06019

1. Cloud Control Panel required

Flow-head charts

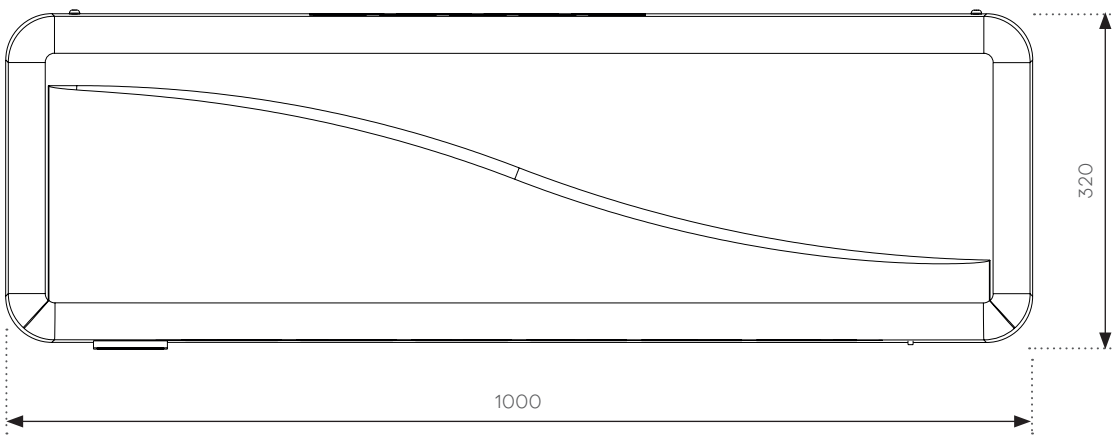
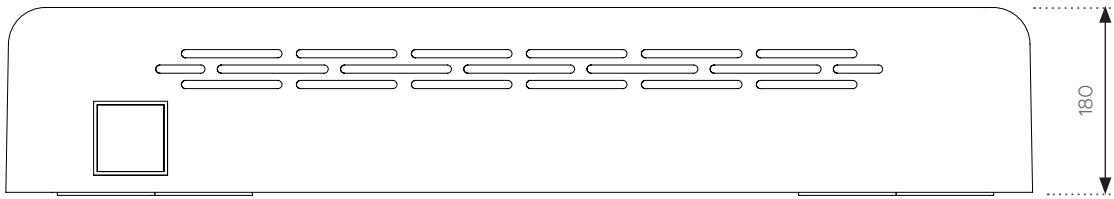
- A** Head **1** Super-minimum speed (night) **3** Speed 2 **5** Speed 4
B Flow rate **2** Speed 1 **4** Speed 3 **6** Hyperventilation



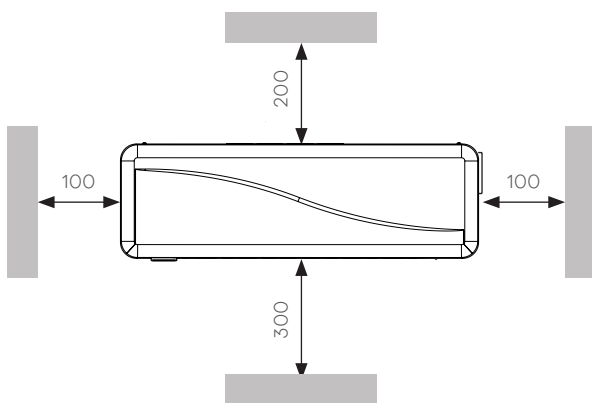
.....



Dimensional drawings



Recommended buffer zones





Extractor XTRA

Ideal for quickly extracting stale air from bathrooms

For situations where odours, exhaust air and fumes must be extracted quickly in small and medium-sized rooms, such as bathrooms, toilets, utility rooms, kitchens, cellars, laundries, etc. Made of high-quality, UV-resistant ABS in a modern design with a smooth front panel, it can be installed on the wall or ceiling.

Functions and features	UOM	Extractor	
		XTRA	XTRA+
Version		XTRA	XTRA+
Timer		-	●
Humidity sensor		-	●
Check valve		-	●
Airflow rate	m ³ /h		88
Power consumption	W		14
Supply voltage	V AC	220-240 single-phase	
Max. current consumption ⁽¹⁾	A	0.09	
Weight	kg	0.6	
Product dimensions (W x H x D)	mm	152 x 120 x 30	
Coring holes	mm	Ø100	
Installation orientation		horizontal	
Sound power	dB(A)	53	
IP protection rating		34	
Kit		installation manual	
Code		4XTRA00090000	4XTRA00090001

1. With 230 V AC supply voltage

.....

Wall-recessed HRV

Recessed systems for new buildings, renovations and energy upgrade projects

HRV unit



Model	Flow40		Flow120		Flow120H		Flow©120	
	STD	Pure	STD	Pure	STD	Pure	STD	Pure
Version	STD	Pure	STD	Pure	STD	Pure	STD	Pure
Night function	●	●	●	●	●	●	●	●
Hyperventilation	●	●	●	●	●	●	●	●
Filter replacement alert	●	●	●	●	●	●	●	●
Humidity sensor	●	●	●	●	●	●	●	●
CO ₂ and VOC sensor	-	●	-	●	-	●	-	●
IR remote control	optional	optional	optional	optional	optional	optional	optional	optional
Removable control panel	optional	optional	optional	optional	optional	optional	optional	optional
On/Off LED panel	●	●	●	●	●	●	●	●
Helty Home App	-	●	-	●	-	●	-	●
Code	1VMC02005	1VMC02006	1VMC02007	1VMC02008	1VMC02014	1VMC02015	1VMC02009	1VMC02010

Preparation setups



Model	Flow40		Flow120		Flow120H	Flow©120
	facade	window-side	facade	window-side	facade	facade
Code	1VMC03002	1VMC99072*	1VMC03007	1VMC03009	1VMC03007	1VMC03008

*in addition to code 1VMC03002

Cover



Model	Flow40 white ABS	Flow40 sheet metal	Flow40 white plexi	Flow40 blackplexi	Flow120 sheet metal	Flow120 white plexi	Flow120 black plexi
Code	1VMC99077	1VMC99000	1VMC99001	1VMC99002	1VMC99098	1VMC99099	1VMC99104



A HRV unit plus the corresponding preparation setup and cover is needed to compose the complete wall-recessed HRV unit.



Flow40

Zero footprint,
maximum comfort

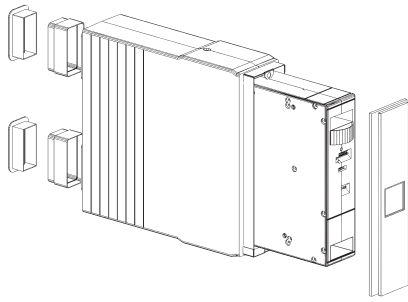
Helty Flow40 is a decentralised **solution recessed in the masonry**, ideal for new buildings and renovations and energy efficiency upgrades. The HRV makes itself invisible by combining excellent air exchange performance with a **zero footprint**: Flow40 does not require ducting or false ceilings and **only the cover**, available in metal or Plexiglas variant, is exposed. The wall-recessed system is housed in an **Expanded Polystyrene preparation setup, adaptable to walls of varying thickness**, which can be fitted during construction and completed with HRV units and covers even at a later date.

The HRV unit is equipped with an enthalpy heat exchanger with a recovery efficiency of 91%, and **dual ePM2.5 65% + Coarse 90% / Coarse 70% filters** that purify the air. Optionally, the **new ePM1 80%** activated charcoal filter stops PM1 particulates and prevents odours from entering. Equipped as standard with **humidity sensor** which automatically regulates ventilation depending on humidity levels and **electronic free cooling function** for passive cooling, Flow40 is also available with **window-side outlets**, even more invisible and discreet as the grills can be inserted inside the window jamb itself.

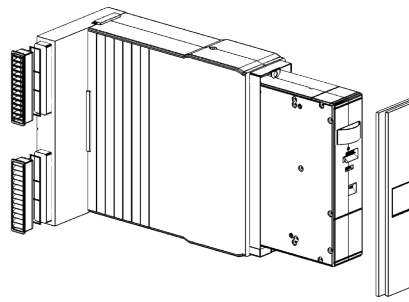


Sensor equipment
and control from the
app

The Pure Flow40 version is equipped with **sensors for detecting CO₂ and VOC** levels, which allow automatic adjustment of the airflow rate to balance indoor comfort conditions. It is also possible to control the ventilation units remotely via the **Helty Home** app, which allows the units to be monitored and programmed as required.



Flow40



Flow40 window-side outlet



Sensors for automatic humidity, CO₂ and VOC management



Zero footprint solution: completely recessed into the masonry.



91%

Heat recovery efficiency



15 dB(A)

Sound pressure



42 m³/h

Maximum airflow



**ISO Coarse 90%
+ ePM2.5 65%**

Intake air filtration



-37.9 kWh/m²a

SEC energy consumption (temperate climate)

Classe Energetica

A



HRV unit technical data

Functions and features	UOM	Flow40	
		STD	Pure
Version			
Night function		●	●
Hyperventilation		●	●
Filter replacement alert		●	●
Humidity sensor		●	●
CO ₂ and VOC sensor		-	●
IR remote control		optional	optional
On/Off LED panel		●	●
Removable control panel		optional	optional
Helty Home App		-	●
Control Panel		on-board	
Airflow rate	m ³ /h	10/17/26/37/42 ⁽¹⁾	
Flow adjustment		4 stages + hyperventilation	
Power consumption	W	3.6/5.5/9/17.5/20 ⁽²⁾	
Supply voltage	V AC	230	
Max. current consumption ⁽²⁾	A	0.17	
Weight	kg	4	
HRV unit dimensions (W x H x D)	mm	108 x 408 x 268	
Preparation setup dimensions (W x H x D)	mm	145 x 473 x 557	
Window-outlet preparation setup dimensions (W x H x D)	mm	270 x 473 x 572	
Installation orientation		horizontal and vertical	
Heat exchanger		enthalpy with cross-flow countercurrent	
Heat recovery efficiency	%	91	
Bypass (free cooling/free heating)		manual electronic	
Sound power level ⁽³⁾	dB(A)	26.5/32.4/37.8/46	
Sound pressure ⁽⁴⁾	dB(A)	15/20.9/26.3/34.5	
Dn,e,W (facade noise abatement)	dB	45	
Intake filter		ISO Coarse 90% + ePM2.5 65%	
Extraction filter		ISO Coarse 70%	
Modbus RTU rs485		Yes ⁽⁵⁾	
Reference climate		cold / temperate / warm	
Energy efficiency class (cold / temperate / hot)		A+ / A / E	
SEC (cold / temperate / warm)	kWh/m ² a	-74.1 / -37.9 / -14.6	
Leakage rate ⁽⁶⁾		U1	
Sensitivity to pressure variations ⁽⁶⁾		S1	
Internal/external air tightness ⁽⁶⁾		N/A	
Kit		installation manual, user manual, power supply unit, control panel, connection cable, airtight gasket	
Code		1VMC02005	1VMC02006

1. In hyperventilation mode
2. With 230 V AC supply voltage

3. According to UNI 3744:2010
4. Measured in a 30 m² semi-anechoic environment at a distance of 3 m

5. The Cloud control panel functions are lost
6. In accordance with EN 13141-8:2014-09

Accessories and spare parts

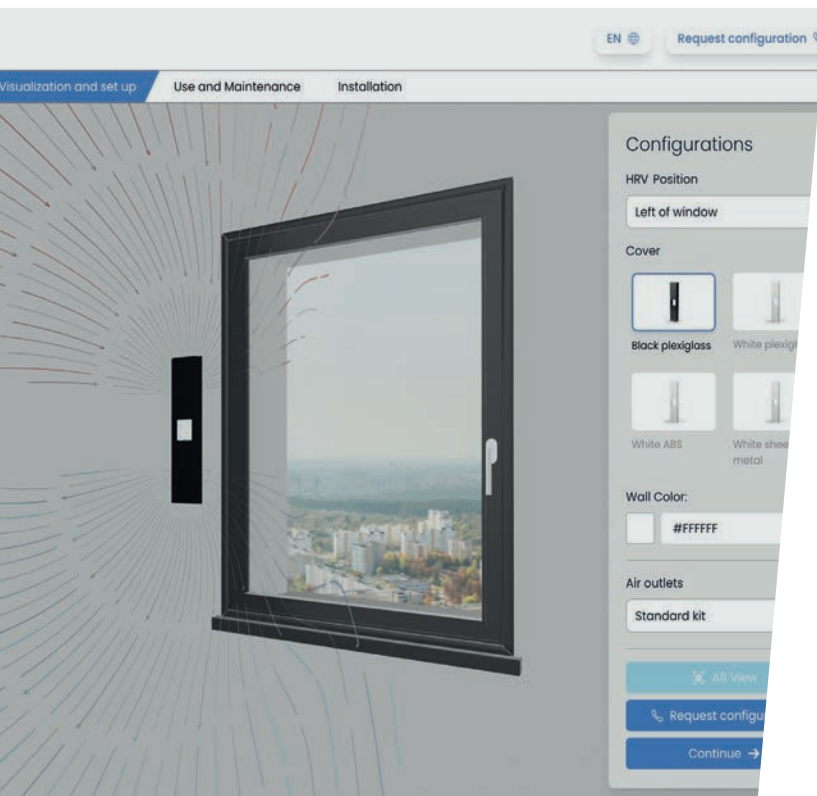
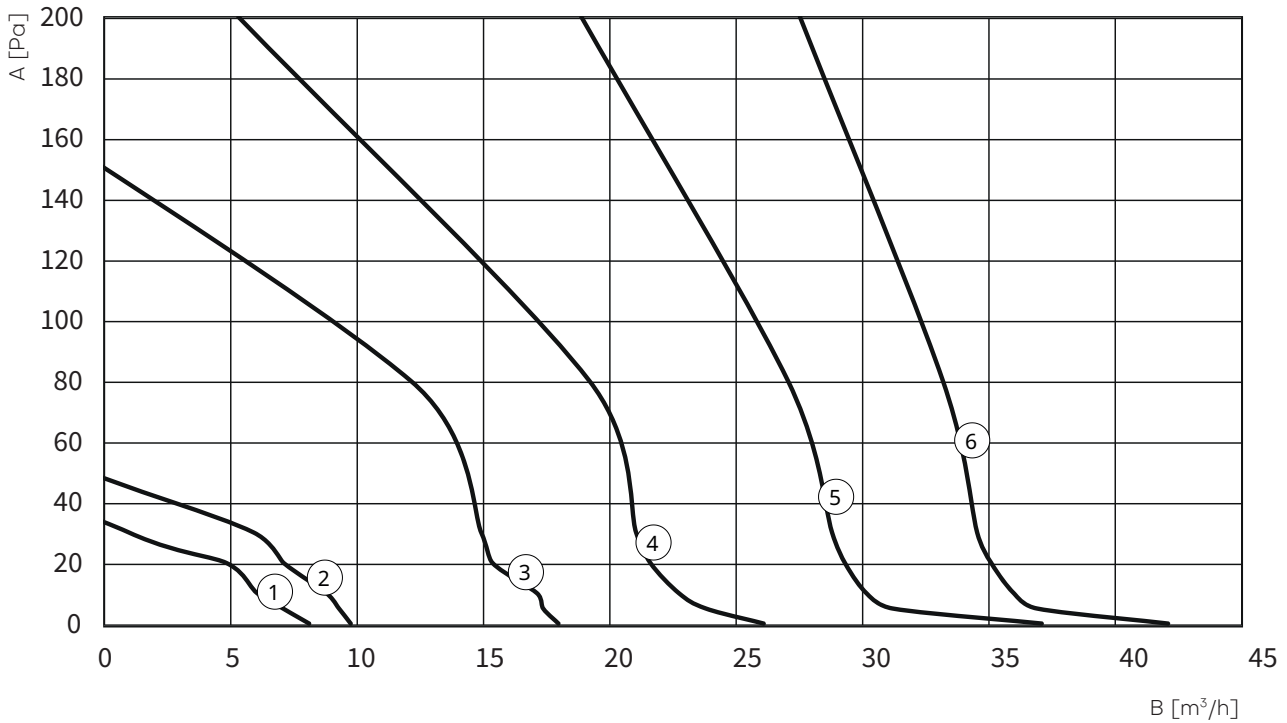
Article	Type	Code
Flow40 PMMA black cover	Accessories	1VMC99002
Flow40 PMMA white cover	Accessories	1VMC99001
Flow40 sheet metal cover	Accessories	1VMC99000
Flow40 ABS cover	Accessories	1VMC99077
Flow40 preparation setup	Preparation setups	1VMC03002
Flow40 insulation preparation setup	Accessories	1VMC99059
Tube 120x60 mm L 370 mm x2	Accessories	1VMC99054
Tube adapter 120x60 mm Ø100 mm x2	Accessories	1VMC99115
Grill adapter Ø100 mm 120x60 mm	Accessories	1VMC99058
External grills 120x60 mm	Spare parts	1PVCVMC00009
Slim exterior grills + mesh	Spare parts	1VMC00000237
Vertical external grills + hood 120x60 mm	Accessories	1VMC99127
Horizontal external grills + hood 120x60 mm	Accessories	1VMC99128
Facade outlet + slim exterior grills	Accessories	1VMC99070
Window-side outlet + slim external grills	Accessories	1VMC99072
Flow40 protection panel	Spare parts	1VMC99063
IR remote control	Accessories	4VMC00000900
STD flush-mounted control panel + 5 m cable	Accessories	1VMC06006
Cloud recessed control panel + 5 m cable	Accessories	1VMC06011
External control panel box 503	Accessories	1VMC99078
CO ₂ monitor ⁽¹⁾	Accessories	4VMC00000902
IAQ monitor ⁽¹⁾	Accessories	4VMC00000903
ePM1 80% + Coarse 70% Flow40 x10 filter	Filters	1VMC99772
ePM1 80% + Coarse 70% Flow40 x30 filter	Filters	1VMC99773
ePM2.5 65% + Coarse 70% Flow40 x10 filter	Filters	2VMC00000098
ePM2.5 65% + Coarse 70% Flow40 x30 filter	Filters	2VMC00000092

1. Cloud Control Panel required

.....

Flow-head charts

- | | | | |
|-------------|-------------------------------|-----------|--------------------|
| A Head | 1 Super-minimum speed (night) | 3 Speed 2 | 5 Speed 4 |
| B Flow rate | 2 Speed 1 | 4 Speed 3 | 6 Hyperventilation |



Experience and 3D Configurator

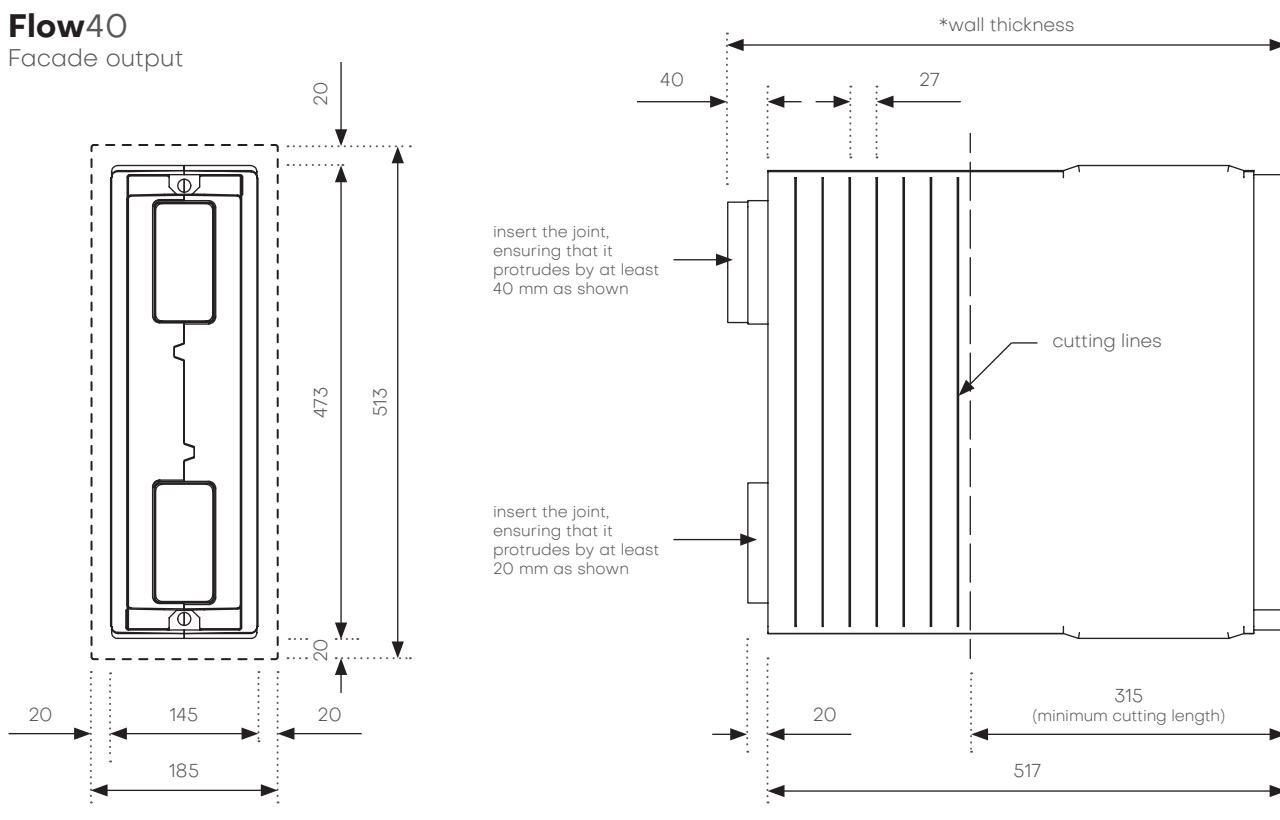
Would you like to learn more about the Hely Flow40 wall-recessed HRV and how it can be integrated into your project? Do you need to know in which positions it can be installed and which configurations are available for ventilation grills? Do you want to know more about the features and maintenance it requires? Go to the site section and discover the new 3D configurator dedicated to Flow40: an interactive experience that allows a virtual tour of the solution and offers a specific focus on the installation, use and maintenance of the HRV system.



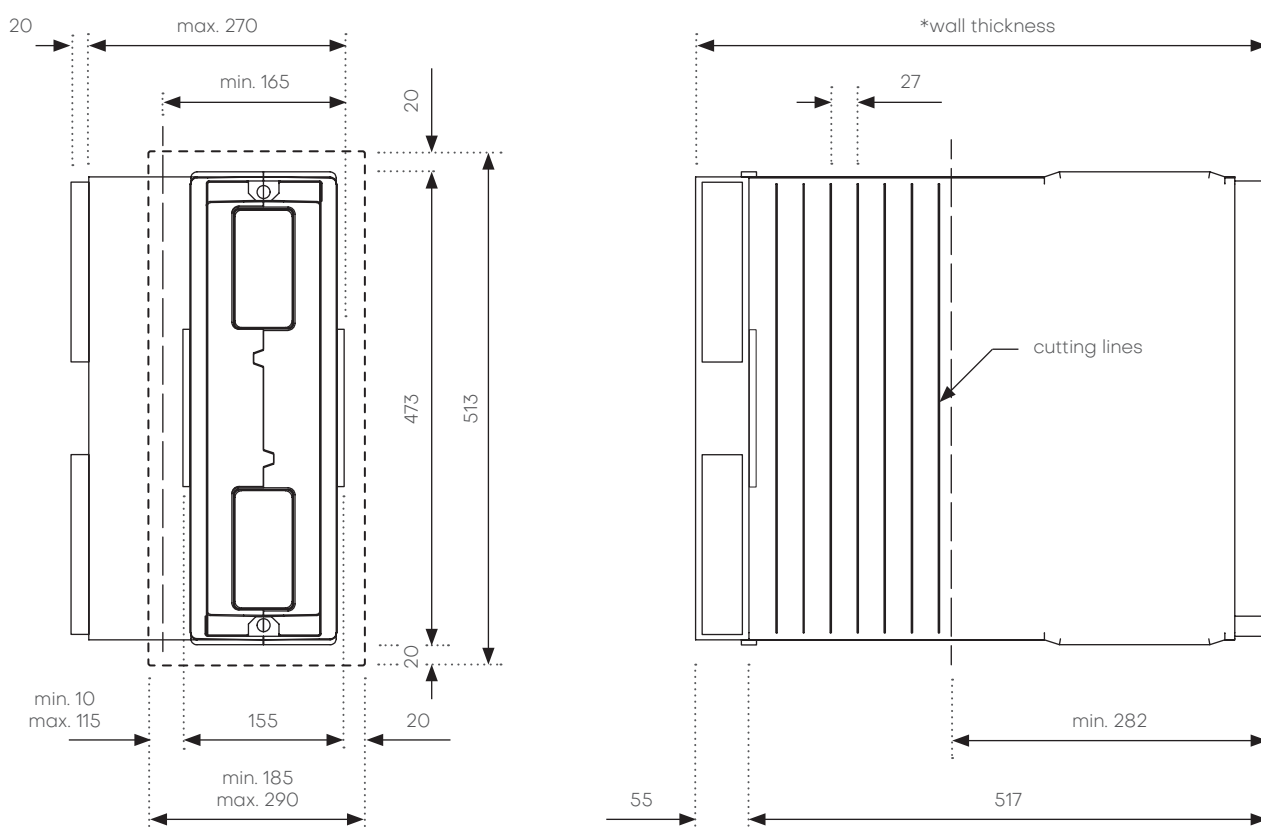
Scan the QR Code and go to the 3D configurator

Dimensional drawings

Flow40 Facade output



Flow40 Window-side outlet





Flow 120/120H/C120

Compact, silent, versatile,
also available ducted

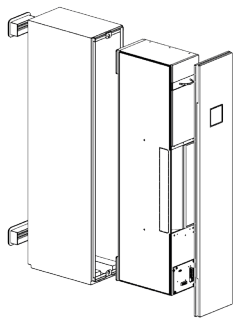
Flow120 is the perfect answer for everyday environments that require **more air exchange** without sacrificing **quietness and comfort**. Versatile and high-performance, Flow120 can be adjusted to four airflow speeds, in addition to night and hyperventilation modes. **The range from 15 m³/h to 120 m³/h** means that it can meet the ventilation needs of modern residential living spaces or small offices. Easy to install, the HRV unit minimises footprint, with a width of just 16 cm and a height of only 92 cm. Also available in **120H version** – for **horizontal installation**, e.g. underneath the fixture – Flow120 offers a choice of different covers for

perfect integration into any environment. The option with **window-side outlet grills** make the application even less conspicuous to preserve the appearance of the facade. With installation only in the specific preparation setup for later completion, the unit can be mounted in masonry just 34.5 cm thick. With a **sound power of less than 40 dB(A)** at the working airflow rate (60 m³/h), Flow120 is particularly **quiet and efficient**, offering a **heat recovery of 88%**. The Pure version includes a **CO₂ + VOC sensor** and control via the **Helty Home app in addition to the standard hygrometric sensor**.

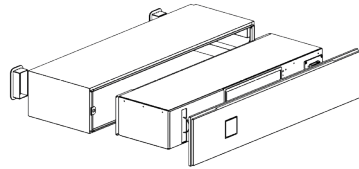
Flow C120: the first Helty ducted HRV

The **FlowC120** ductable model offers an even more versatile **HRV system design**, **servicing multiple rooms** within residential units. This version, with **ductable supply and exhaust airflows of up to 8 metres***, enables separate control of air delivery and suction in installation areas, taking stale air from a bathroom and injecting fresh air into an adjacent room such as a bedroom. A smart solution, ideal e.g. for three-room apartments, to reduce HRV system implementation costs and manage **air exchange over adjacent rooms with a single decentralised ventilation unit**.

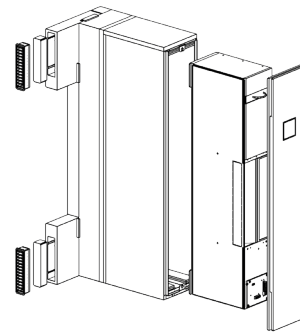
* for details on the dimensions of the ducting see the technical manual



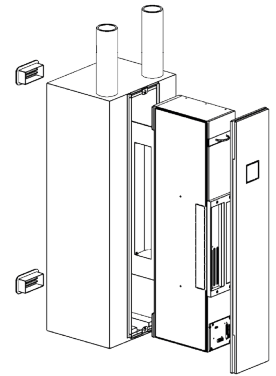
Flow120



Flow120H



Flow120 window-side outlet



FlowC120



88%
Heat recovery efficiency



18.5 dB(A)
Sound pressure



120 m³/h
Maximum airflow



ISO ePM2.5 65%
Intake air filtration



-37.6 kWh/m²a
SEC energy consumption (temperate climate)

Classe Energetica

A



HRV unit technical data

Functions and features	UOM	Flow120		Flow120H		Flow©120	
		STD	Pure	STD	Pure	STD	Pure
Version							
Night function		●	●	●	●	●	●
Hyperventilation		●	●	●	●	●	●
Filter replacement alert		●	●	●	●	●	●
Humidity sensor		●	●	●	●	●	●
CO ₂ and VOC sensor		-	●	-	●	-	●
IR remote control		optional	optional	optional	optional	optional	optional
Removable control panel		optional	optional	optional	optional	optional	optional
On/Off LED panel		●	●	●	●	●	●
Helty Home App		-	●	-	●	-	●
Control Panel		on-board					
Airflow rate	m ³ /h	13/30/45/60/80/120 ⁽¹⁾					
Flow adjustment		4 stages + hyperventilation					
Power consumption	W	3/6/9/13/23/55 ⁽¹⁾					
Supply voltage	V AC	230					
Max. current consumption ⁽²⁾	A	0.45					
Weight	kg	10					
HRV unit dimensions (W x H x D)	mm	160 x 920 x 286					
Preparation setup dimensions (W x H x D)	mm	190 x 990 x 345		190 x 990 x 345		390 x 990 x 345	
Window-outlet preparation setup dimensions (W x H x D)	mm	319 x 1006 x 482		-		-	
Installation orientation		vertical		horizontal		vertical	
Heat exchanger		enthalpy with cross-flow countercurrent					
Heat recovery efficiency	%	88					
Bypass (free cooling/free heating)		manual electronic					
Sound power level ⁽³⁾	dB(A)	30/31/35/40/47/54					
Sound pressure ⁽⁴⁾	dB(A)	18.5/19.5/23.5/28.5/35.5/42.5					
Dn,e,W (facade noise abatement)	dB	45					
Intake filter		ISO ePM2.5 65%					
Extraction filter		ISO Coarse 90%					
Modbus RTU rs485		Yes ⁽⁵⁾					
Reference climate		cold / temperate / warm					
Energy efficiency class (cold / temperate / hot)		A+ / A / E					
SEC (cold / temperate / warm)	kWh/m ² a	-74.5 / -39 / -16.1					
Leakage rate ⁽⁶⁾		U2					
Sensitivity to pressure variations ⁽⁶⁾		S1					
Internal/external air tightness ⁽⁶⁾		N/A					
Kit		installation manual, user manual, power supply, control panel, connection cable, airtight gasket					
Code		1VMC02007	1VMC02008	1VMC02014	1VMC02015	1VMC02009	1VMC02010

1. In hyperventilation mode
2. With 230 V AC supply voltage

3. According to UNI 3744:2010
4. Measured in a 30 m² semi-anechoic environment at a distance of 3 m

5. The Cloud control panel functions are lost
6. In accordance with EN 13141-8:2014-09

Accessories and spare parts

Article	Type	Code
Flow120 PMMA black cover	Accessories	1VMC99104
Flow120 PMMA white cover	Accessories	1VMC99099
Flow120 sheet metal cover	Accessories	1VMC99098
Reverse control panel cover adapter	Accessories	1VMC99124
PG7 12 mm adapter	Accessories	1VMC99129
Flow120 protection panel	Spare parts	1VMC99116
Flow120 window-side outlet setup	Preparation setups	1VMC03009
FlowC120 preparation setup	Preparation setups	1VMC03008
Flow120 preparation setup	Preparation setups	1VMC03007
Flow120 insulation preparation setup	Accessories	1VMC99103
Tube 120x60 mm L 370 mm x2	Accessories	1VMC99054
Tube adapter 120x60 mm Flow120H x2	Accessories	1VMC99113
Tube adapter 120x60 mm Ø100 mm x2	Accessories	1VMC99115
Grill adapter Ø100 mm 120x60 mm	Accessories	1VMC99058
External grills 120x60 mm	Spare parts	1PVCVMC00009
Slim exterior grills + mesh	Spare parts	1VMC00000237
Vertical external grills + hood 120x60 mm	Accessories	1VMC99127
Horizontal external grills + hood 120x60 mm	Accessories	1VMC99128
Flow120H ceiling bracket	Accessories	1VMC99114
IR remote control	Accessories	4VMC00000900
STD flush-mounted control panel + 5 m cable	Accessories	1VMC06006
Cloud recessed control panel + 5 m cable	Accessories	1VMC06011
External control panel box 503	Accessories	1VMC99078
CO ₂ monitor ⁽¹⁾	Accessories	4VMC00000902
IAQ monitor ⁽¹⁾	Accessories	4VMC00000903
ePM2.5 65% + Coarse 60%x5 Flow120 x5 filter	Filters	1VMC06013
ePM2.5 65% + Coarse 60%x10 Flow120 x10 filter	Filters	1VMC06012
Coarse 60% x5 Flow120 x5 filter	Filters	1VMC06015
Coarse 60% x10 Flow120 x10 filter	Filters	1VMC06014
ePM1 80% x5 Flow120 x5 filter	Filters	1VMC06018
ePM1 80% x10 Flow120 x10 filter	Filters	1VMC06019

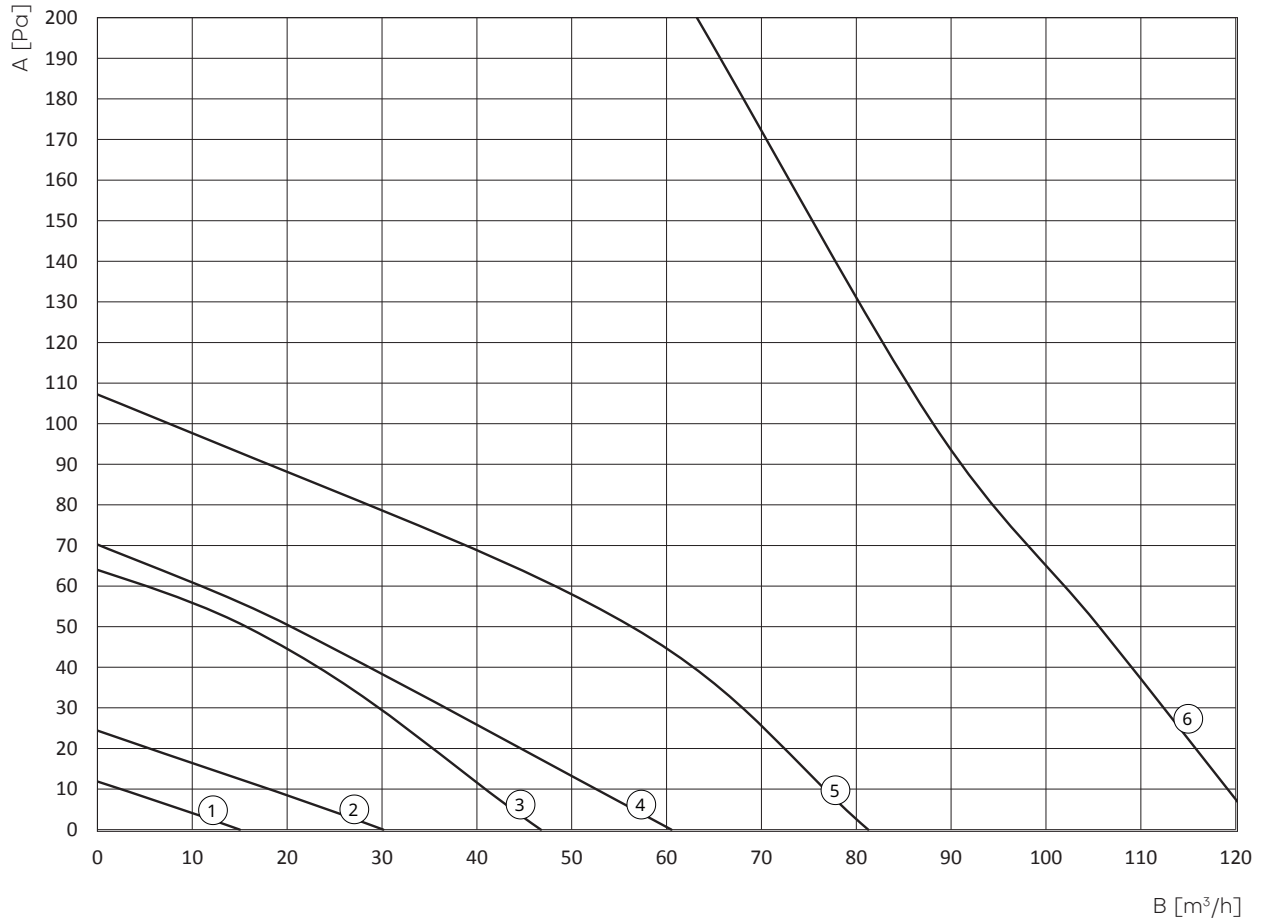
1. Cloud Control Panel required

.....



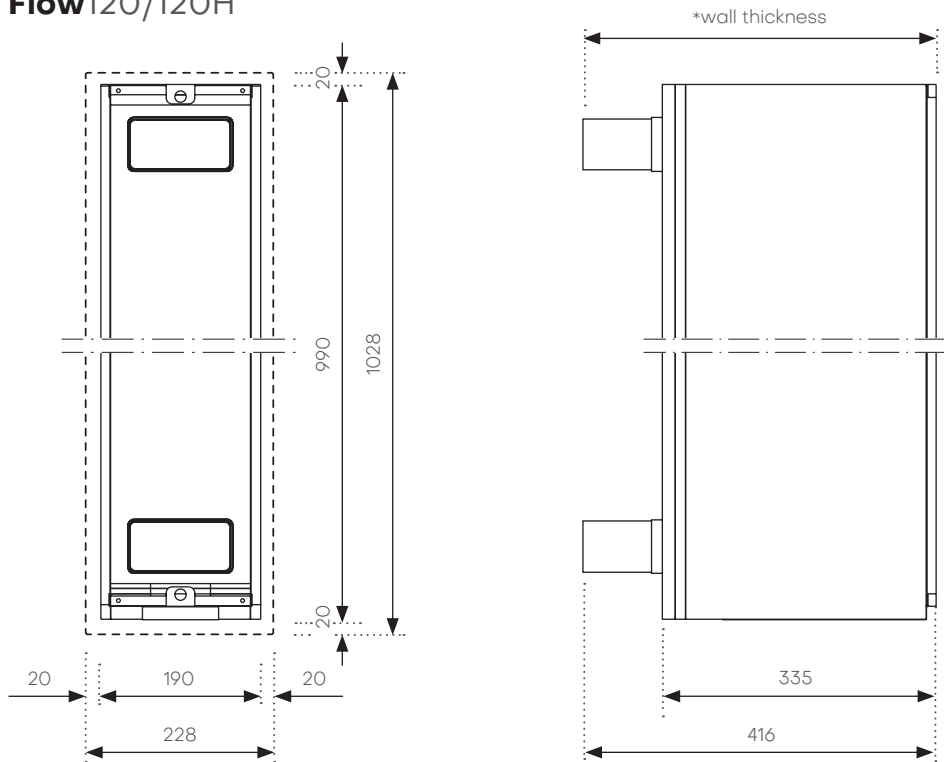
Flow-head charts

- | | | | |
|--------------------|--------------------------------------|------------------|---------------------------|
| A Head | 1 Super-minimum speed (night) | 3 Speed 2 | 5 Speed 4 |
| B Flow rate | 2 Speed 1 | 4 Speed 3 | 6 Hyperventilation |

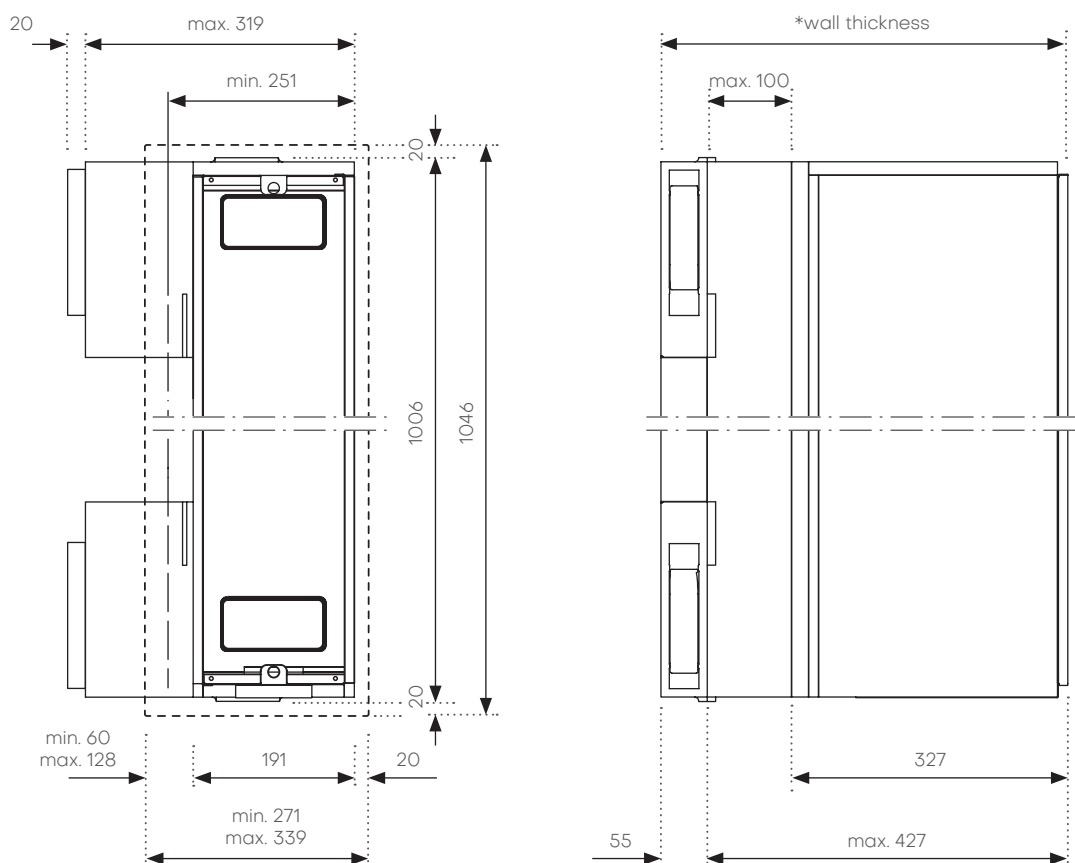


Dimensional drawings

Flow120/120H



FlowC120

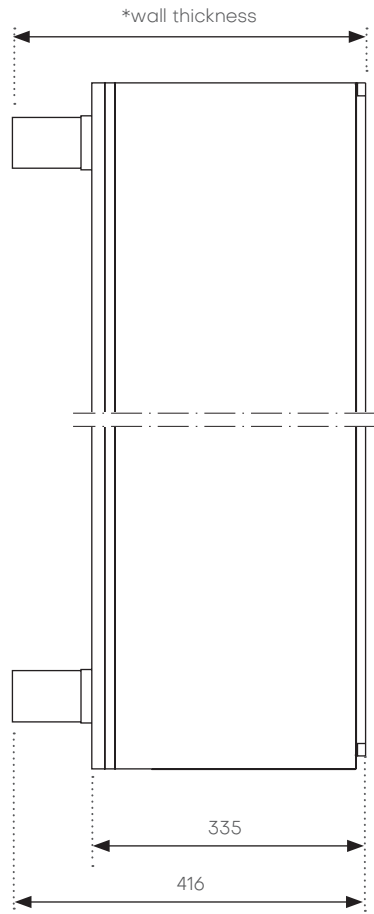
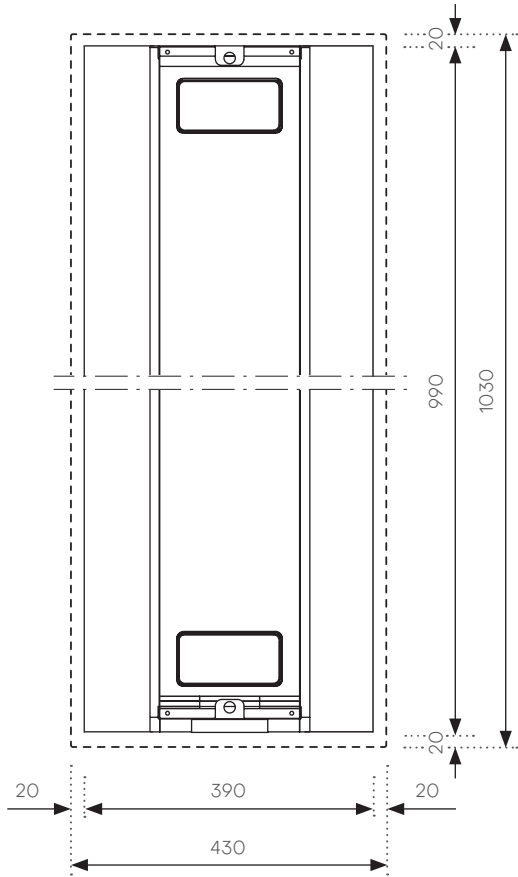


.....



Dimensional drawings

Flow[®]C120





Example diagram of an HRV system in a three-room flat managed with the FlowC120 ductable, wall-recessed system. Air supply and return can be partitioned off to other rooms adjacent to the one in which the recessed unit is installed.

.....

Customisable cover to harmonise with any furnishing style

Wall-recessed HRV systems can be completed with different covers, depending on the context in which they are installed. You can choose the **ABS or white pre-painted sheet metal cover***, which can also be painted if required to match the style of the room. Alternatively, you can opt for the **plexiglass cover** with a convenient **magnetic clip system** for easy filter replacement. A white or black plexiglass cover is available.



*ABS cover only available for Flow40.



Wall-recessed HRV

The preparation for installing Hely Flow HRV units is a three-step process:

1. make a rectangular hole in the wall according to the shape required by the type of unit to be installed;
2. install the preparation setup in the wall, including external air vents, and seal the perimeter of the preparation with flexible polyurethane foam;
3. insert the HRV unit and connection to the power supply and position the inner cover.

See the instruction manual for more details.

The preparation setup can be purchased separately to be inserted into the masonry already at the construction site; it can also be completed later with the installation of the HRV unit and cover.

Slim grill accessory



* For Flow40, Slim 40x180 mm external grills (via accessory kit) are also available as an alternative to the standard ones.



.....

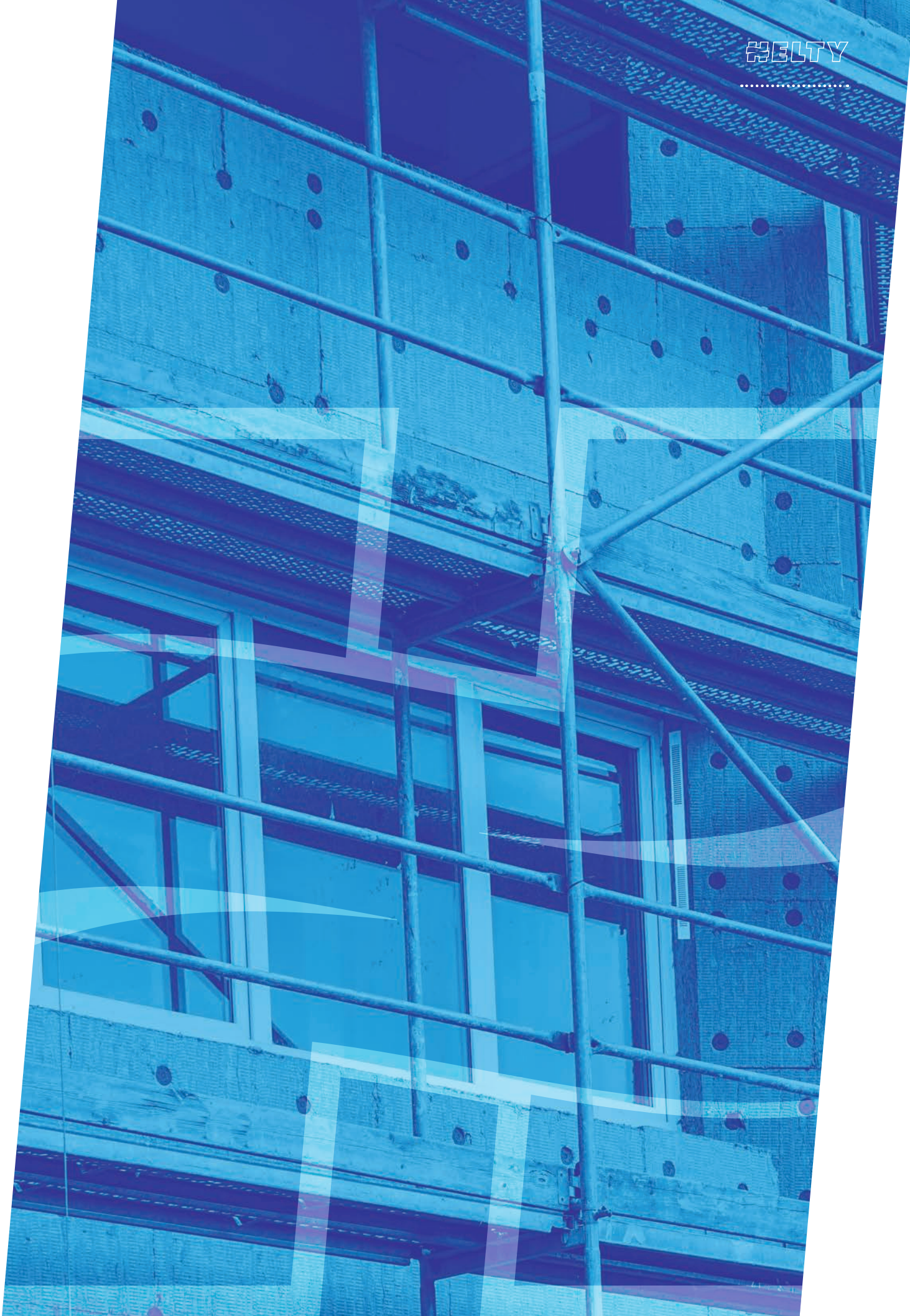
HRV for energy upgrades

Patented HRV system installed in the exterior cladding, with no impact on the facade



Model	FlowMAHNATTAN					
	LH STD	RH STD	LH Pure	RH Pure	LH Elite	RH Elite
Version						
Night function	●	●	●	●	●	●
Hyperventilation	●	●	●	●	●	●
Filter replacement alert	●	●	●	●	●	●
Humidity sensor	-	-	●	●	●	●
CO ₂ and VOC sensor	-	-	-	-	●	●
IR remote control	●	●	●	●	●	●
Control panel Removable STD	optional	optional	optional	optional	optional	optional
Control panel Removable cloud	optional	optional	optional	optional	optional	optional
On/Off LED panel	●	●	●	●	●	●
Helty Home app ⁽¹⁾	optional	optional	optional	optional	optional	optional
Code	1VMC05004	1VMC05000	1VMC05005	1VMC05002	1VMC05006	1VMC05003

1. Included with remote Cloud Control Panel





Flow MANHATTAN®



A revolutionary decentralised HRV installed "under the skin" in the exterior cladding

FlowMANHATTAN reinvents decentralised ventilation for individual rooms offering a solution to designers and builders in which the HRV unit is camouflaged in the external cladding layer.

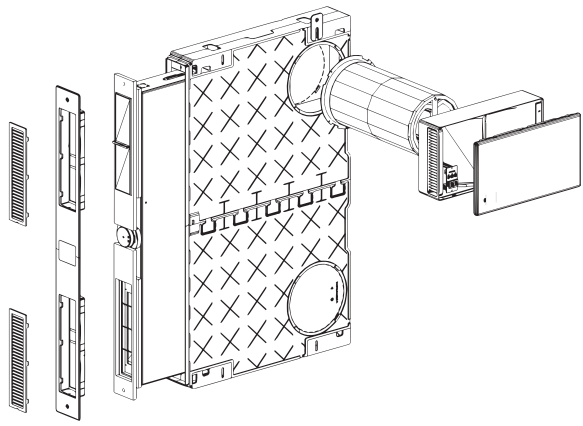
The airflow grills, which are arranged on the side of the window, respect the architectural profile of the building and avoid any impact on the facade. The internal impact is also minimal with a particularly compact diffuser design. The intake and extraction airflows, separated by a special septum, pass through a single 160-mm coring hole. The formwork, which is fixed to the external masonry

when the exterior cladding is installed, makes it possible to prepare for HRV system installation and complete it at a later stage with the ventilation unit if required. The dual-flow HRV unit extracts stale air from the indoor environment and introduces new, oxygenated and clean air through special ePM2.5 65% filters as standard. Ventilation speeds are variable as required with maximum airflow rate of 70 m³/h. The enthalpy heat exchanger allows recovery of up to 70% of the heat in the extracted air by pre-heating the fresh airflow.



Standard, Plus, Elite versions and control from the app

The most equipped versions integrate a hygrometric sensor, CO₂ and VOC sensors on board the HRV unit to monitor indoor air quality parameters, as well as a removable control panel and the possibility of remote control via the Helyt Home app.



Sensors for automatic humidity, CO₂ and VOC management



Remote panel for controlling the unit and setting functions.



It is easy to control it from anywhere in the room using the included infrared remote control.



70%
Heat recovery efficiency



16.5 dB(A)
Sound pressure



70 m³/h
Maximum airflow



ISO ePM2.5 65%
Intake air filtration



-35.4 kWh/m²a
SEC energy consumption (temperate climate)

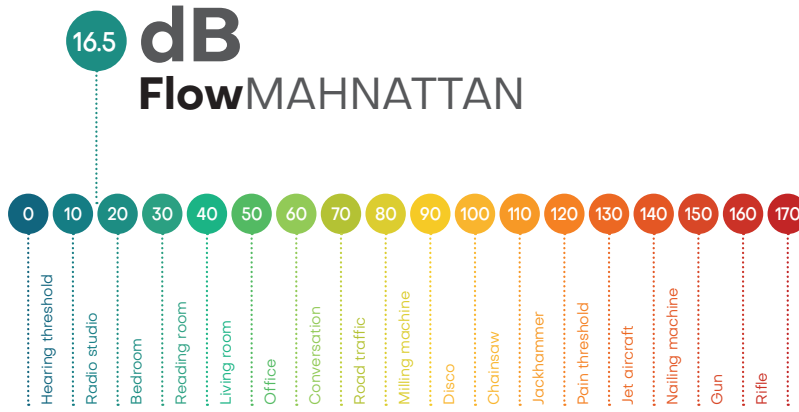
Classe Energetica

A

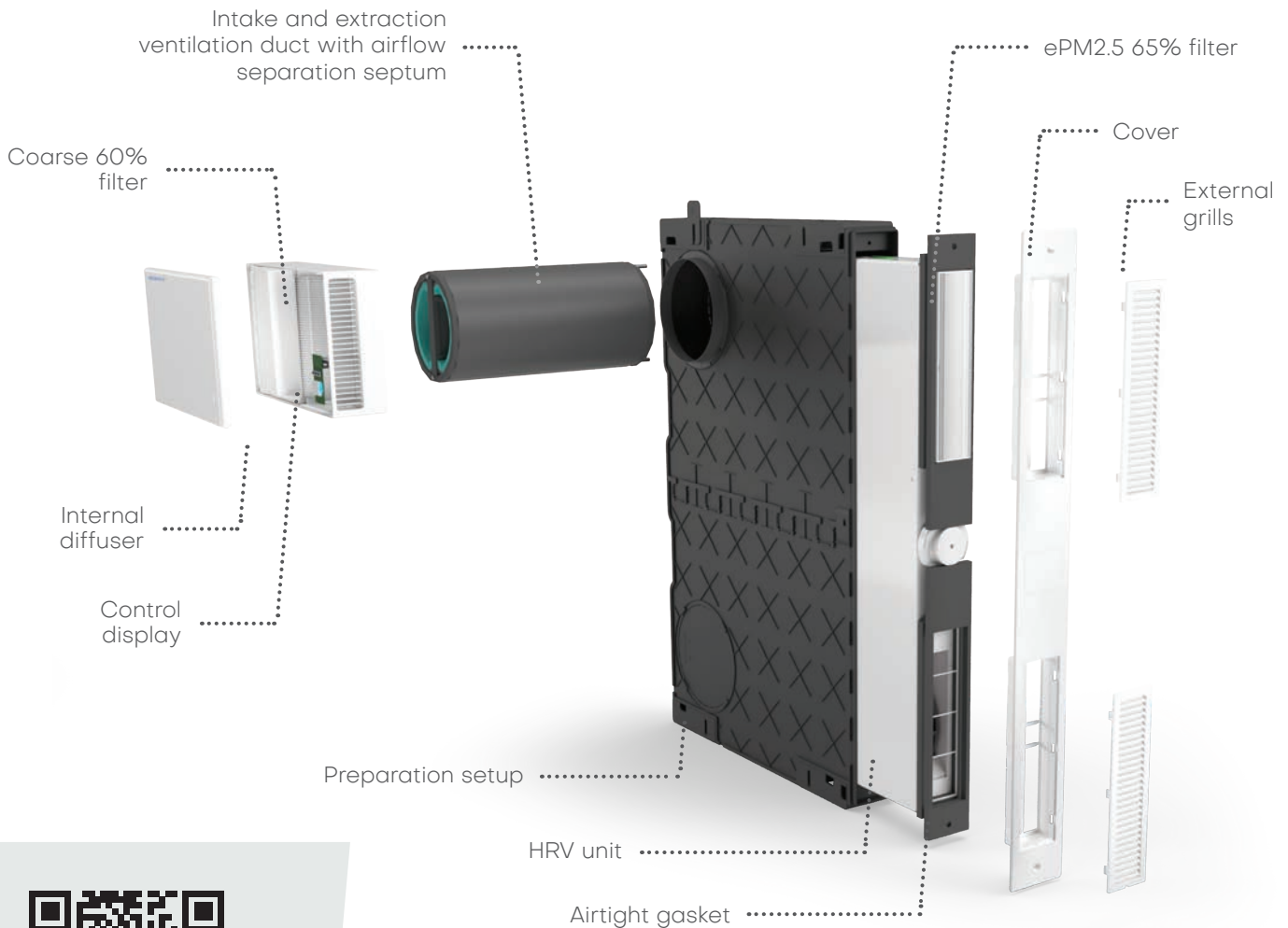
Installation totally from the outside while installing the exterior cladding.

.....

A completely external solution, which has minimal impact on the design of the house and guarantees the highest levels of acoustic comfort



By placing the HRV unit in the outer edge of the masonry, inside the insulating cladding, Hely Flow MANHATTAN ensures a **sound performance that provides optimal acoustic comfort**, with a sound pressure of 16.5 dB at minimum speed.



Frame the QR Code and watch the video on FlowMANHATTAN

Technical data

Functions and features	UOM	FlowMAHNATTAN					
		LH STD	RH STD	LH Pure	RH Pure	LH Elite	RH Elite
Version							
Night function		●	●	●	●	●	●
Hyperventilation		●	●	●	●	●	●
Filter replacement alert		●	●	●	●	●	●
Humidity sensor		-	-	●	●	●	●
CO ₂ and VOC sensor		-	-	-	-	●	●
IR remote control		●	●	●	●	●	●
Control panel Removable STD		optional	optional	optional	optional	optional	optional
Control panel Removable cloud		optional	optional	optional	optional	optional	optional
On/Off LED panel		●	●	●	●	●	●
Helty Home app ⁽¹⁾		optional	optional	optional	optional	optional	optional
Control Panel		on-board					
Airflow rate	m ³ /h	20/25/30/40/50/70 ⁽²⁾					
Flow adjustment		night + 4 stages + hyperventilation					
Power consumption	W	5/6/7/9.5/13/34 ⁽²⁾					
Supply voltage	V AC	230					
Max. current consumption ⁽³⁾	A	0.35					
Weight	kg	7					
HRV unit dimensions (W x H x D)	mm	460 x 740 x 65					
Preparation setup dimensions (W x H x D)	mm	512 x 826 x 88					
Internal diffuser dimensions (W x H x D)	mm	325 x 185 x 85					
Heat exchanger		enthalpy with cross-flow countercurrent					
Heat recovery efficiency	%	70					
Bypass (free cooling/free heating)		manual electronic					
Sound power level ⁽⁴⁾	dB(A)	28/31/36/43/48/56 ⁽²⁾					
Sound pressure ⁽⁵⁾	dB(A)	16.5/19.5/24.5/31.5/36.5/44.5 ⁽²⁾					
Dn,e,W (facade noise abatement)	dB	51					
Intake filter		ISO ePM2.5 65%					
Extraction filter		ISO Coarse 60%					
Modbus RTU rs485		Yes ⁽⁶⁾					
Reference climate		cold / temperate / warm					
Energy efficiency class (cold / temperate / hot)		A+ / A / E					
SEC (cold / temperate / warm)	kWh/m ² a	-6.77 / -35.4 / -14.3					
Internal leakage ⁽⁷⁾	%	1					
External leakage ⁽⁷⁾	%	1					
Kit		installation manual, HRV filter, airtight gaskets, IR remote control with batteries					
Code		1VMC05004	1VMC05000	1VMC05005	1VMC05002	1VMC05006	1VMC05003

1. Including remote Cloud control panel
 2. In hyperventilation mode
 3. With 230 V AC supply voltage

4. According to UNI 3744:2010
 5. Measured in a 30 m² semi-anechoic environment at a distance of 3 m

6. The Cloud control panel functions are lost
 7. In accordance with EN 13141-8:2014-09

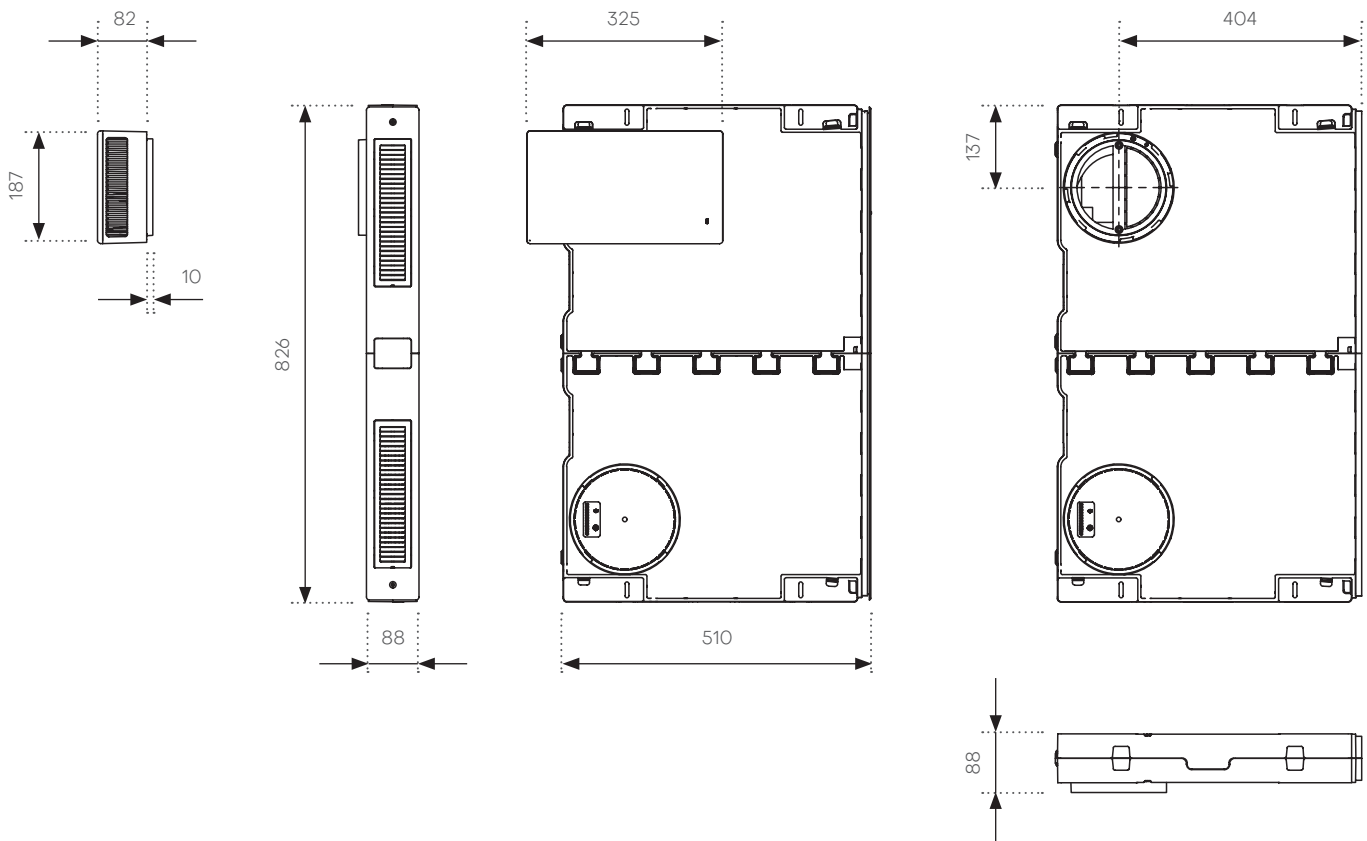
.....

Accessories and spare parts

Article	Type	Code
FlowMANHATTAN template	Accessories	1VMC06001
FlowMANHATTAN external cover	Accessories	1VMC06002
FlowMANHATTAN preparation setup	Preparation setups	1VMC06000
Internal hole cover rosette Ø160 mm	Accessories	1VMC06003
Internal diffuser	Accessories	1VMC06005B
Empty internal diffuser	Accessories	1VMC06004
Tube + 150 mm	Accessories	1VMC06007
IR remote control	Accessories	4VMC00000900
STD flush-mounted control panel + 5 m cable	Accessories	1VMC06006
Cloud recessed control panel + 5 m cable	Accessories	1VMC06011
External control panel box 503	Accessories	1VMC99078
CO ₂ monitor ⁽¹⁾	Accessories	4VMC00000902
IAQ monitor ⁽¹⁾	Accessories	4VMC00000903
ePM2.5 65% + Coarse 60% x10 filter	Filters	1VMC06009
ePM2.5 65% + Coarse 60% x30 filter	Filters	1VMC06010

1. Cloud Control Panel required

Dimensional drawings

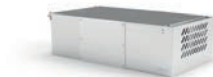





.....

Community HRVs

Systems for air exchange in medium and large rooms



Model	Flow400 ^{Steel}		Flow600 ^{Steel}	
	STD	R 	STD	Pure
Version				
Night function	●	●	●	●
Hyperventilation	●	●	●	●
Filter replacement alert	●	●	●	●
Humidity sensor	●	-	-	●
CO ₂ and VOC sensor	optional	-	-	●
Radon scenario	-	●	-	-
Radon sensor ⁽¹⁾	-	optional	-	-
Free Cooling	●	●	●	●
Control panel Removable STD	optional	-	optional	optional
Control panel Removable cloud	optional	●	optional	optional
Helty Home app ⁽¹⁾	optional	●	optional	optional
HCloud connection ⁽¹⁾	optional	●	optional	optional
Code	1VMC04030	1VMC04033	1VMC04020	1VMC04015

⁽¹⁾ Cloud control panel connection required



Model

Flow800

Flow800^{Steel}

Version	STD	Pure	STD	Pure	R 
Night function	●	●	●	●	●
Hyperventilation	●	●	●	●	●
Filter replacement alert	●	●	●	●	●
Humidity sensor	-	●	-	●	-
CO ₂ and VOC sensor	-	●	-	●	-
Radon scenario	-	-	-	-	●
Radon sensor ⁽¹⁾	-	-	-	-	optional
Free Cooling	●	●	●	●	●
Control panel Removable STD	optional	optional	optional	optional	-
Control panel Removable cloud	optional	optional	optional	optional	●
Helty Home app ⁽¹⁾	optional	optional	optional	optional	●
HCloud connection ⁽¹⁾	optional	optional	optional	optional	●
Code	1VMC04010	1VMC04022	1VMC04021	1VMC04012	1VMC04027

⁽¹⁾ Cloud control panel connection required

.....

Community HRVs

Systems for air exchange in medium and large rooms



Model	Flow800 ^{Silent}		FlowM800			
	STD	Pure	LH STD	LH Pure	RH STD	RH Pure
Version						
Night function	●	●	●	●	●	●
Hyperventilation	●	●	●	●	●	●
Filter replacement alert	●	●	●	●	●	●
Humidity sensor	-	●	-	●	-	●
CO ₂ and VOC sensor	-	●	-	●	-	●
Radon scenario	-	-	-	-	-	-
Radon sensor ⁽¹⁾	-	-	-	-	-	-
Free Cooling	●	●	●	●	●	●
Control panel Removable STD	optional	optional	optional	optional	optional	optional
Control panel Removable cloud	optional	optional	optional	optional	optional	optional
Helty Home app ⁽¹⁾	optional	optional	optional	optional	optional	optional
HCloud connection ⁽¹⁾	optional	optional	optional	optional	optional	optional
Code	1VMC04023	1VMC04024	1VMC01048	1VMC01055	1VMC01047	1VMC01056

⁽¹⁾ Cloud control panel connection required



Model	Flow1000		Flow1000 ^{Steel}	
	STD	Pure	STD	Pure
Version				
Night function	●	●	●	●
Hyperventilation	●	●	●	●
Filter replacement alert	●	●	●	●
Humidity sensor	-	●	-	●
CO ₂ and VOC sensor	-	●	-	●
Radon scenario	-	-	-	-
Radon sensor ⁽¹⁾	-	-	-	-
Free Cooling	●	●	●	●
Control panel Removable STD	optional	optional	optional	optional
Control panel Removable cloud	optional	optional	optional	optional
Helty Home app ⁽¹⁾	optional	optional	optional	optional
HCloud connection ⁽¹⁾	optional	optional	optional	optional
Code	1VMC04016	1VMC04017	1VMC04025	1VMC04026

⁽¹⁾ Cloud control panel connection required

.....

Community HRVs

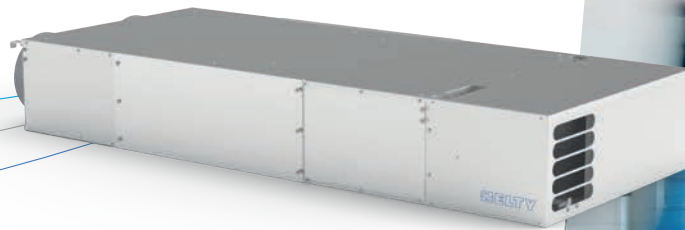
Systems for air exchange in medium and large rooms



Model	Flow1000 ^{Silent}		FlowM1000			
	STD	Pure	LH STD	LH Pure	RH STD	RH Pure
Version						
Night function	●	●	●	●	●	●
Hyperventilation	●	●	●	●	●	●
Filter replacement alert	●	●	●	●	●	●
Humidity sensor	-	●	-	●	-	●
CO ₂ and VOC sensor	-	●	-	●	-	●
Radon scenario	-	-	-	-	-	-
Radon sensor ⁽¹⁾	-	-	-	-	-	-
Free Cooling	●	●	●	●	●	●
Control panel Removable STD	optional	optional	optional	optional	optional	optional
Control panel Removable cloud	optional	optional	optional	optional	optional	optional
Helty Home app ⁽¹⁾	optional	optional	optional	optional	optional	optional
HCloud connection ⁽¹⁾	optional	optional	optional	optional	optional	optional
Code	1VMC04018	1VMC04019	1VMC01053	1VMC01054	1VMC01051	1VMC01052

⁽¹⁾ Cloud control panel connection required





Flow400/400-R

*Maximum comfort, minimum footprint:
clean air for offices and shared spaces*

The Helly Community HRV line expands with the addition of **Flow400**, the innovative solution designed for the **efficient ventilation of offices and shared spaces** for up to 10 people. Compact and versatile, Flow400 ensures filtered and fresh air at all times with its **advanced filtration system** consisting of ePM1 80% filters that stop up to 80% of sub-micron particulates. Equipped with an **enthalpy exchanger with up to 92% heat recovery**, the new Flow400 Helly can be configured for airflow rates ranging from 80 to 400 m³/h. With a sound pressure level of only 35

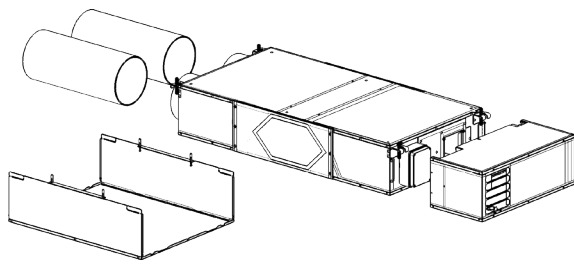
dB(A) at design flow, it is ideal for applications in professional environments that require **special attention to acoustic comfort**.

Compact and versatile, **only 22 cm thick**, Flow400 is perfect for retrofitting existing buildings. The Steel version, with a steel cover ready for visible installation on the wall or ceiling. Optional hygrometric and CO₂ sensors monitor indoor air quality, automatically adjusting the airflow rate accordingly. Built-in features, such as free-cooling and night mode, ensure **efficiency and energy savings**.

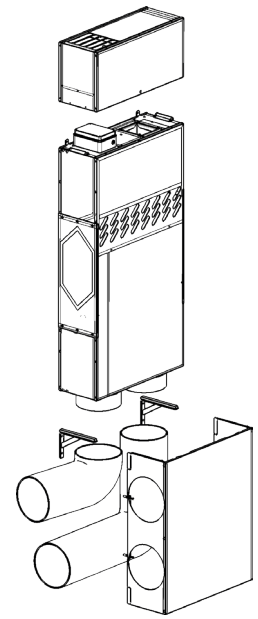


Data monitoring and radon mitigation

The brand-new **Flow400-R** version allows optimal and efficient radon risk management, with ad-hoc technology that dilutes gas concentrations in confined environments. The unit can be controlled remotely using the Cloud platform, setting customised scenarios and performing service centre checks.



Flow400^{Steel}
Ceiling installation



Flow400^{Steel}
Wall-mounted installation



92%

Heat recovery efficiency



22 dB(A)

Sound pressure



400 m³/h

Maximum airflow



ISO Coarse 80% + ePM1 80%

Intake air filtration



-40 kWh/m²a


SEC energy consumption (temperate climate)

Classe Energetica

A



Technical data

Functions and features	UOM	Flow400 ^{Steel}	
		STD	R 
Version			
Night function		●	●
Hyperventilation		●	●
Filter replacement alert		●	●
Humidity sensor		●	-
CO ₂ and VOC sensor		optional	-
Radon scenario		-	●
Radon sensor ⁽¹⁾		-	optional
Free Cooling		●	●
Control panel Removable STD		optional	-
Control panel Removable cloud		optional	●
On/Off LED panel		●	●
Helty Home app ⁽¹⁾		optional	●
HCloud connection ⁽¹⁾		optional	●
Airflow rate	m ³ /h	80/130/180/250/320/400 ⁽²⁾	
Flow adjustment		night + 4 stages + hyperventilation	
Power consumption	W	16/21/30/49/73/120 ⁽²⁾	
Supply voltage	V AC	230	
Max. current consumption ⁽³⁾	A	0.6	
Weight	kg	44	
Product dimensions (W x H x D)	mm	1310 x 222 x 602	
Heat exchanger		counter-flow enthalpy	
Heat recovery efficiency	%	92	
Bypass (free cooling/free heating)		manual electronic	
Sound power level ⁽⁴⁾	dB(A)	33/39/43/49/53/59 ⁽²⁾	
Sound pressure ⁽⁵⁾	dB(A)	22/25/29/35/39/45 ⁽²⁾	
Intake filter		ISO Coarse 80% + ePM1 80%	
Extraction filter		ISO Coarse 80%	
Modbus RTU rs485		Yes ⁽⁸⁾	
Reference climate		cold / temperate / warm	
Energy efficiency class (cold / temperate / hot)		A+ / A / E	
SEC (cold / temperate / warm) ⁽⁶⁾	kWh/m ² a	-76 / -40 / -16.7	
Internal leakage ⁽⁷⁾	%	2	
External leakage ⁽⁷⁾	%	1	
Rated external pressure Δps.ext ⁽⁴⁾	Pa	70	
Internal pressure drop Δps.int ⁽⁴⁾	Pa	140	
Energy performance filters ⁽⁴⁾		A+	
Kit		installation manual, HRV filters	installation manual, user manual, control panel, HRV filters
Code		1VMC04030	1VMC04033

1. Cloud control panel connection required
 2. In hyperventilation mode
 3. With 230 V AC supply voltage

4. According to UNI 3744:2010
 5. Measured 1 m below the unit, corrected with background noise and reverberation times

6. According to Regulation (EU) No. 1253/2014
 7. In accordance with EN 13141-8:2014-09
 8. The Cloud control panel functions are lost

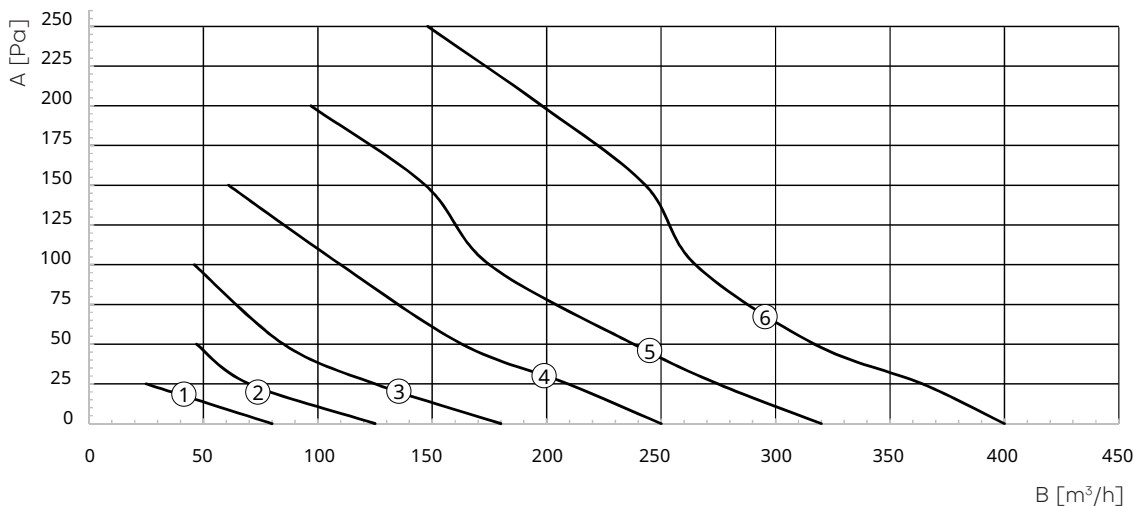
Accessories and spare parts

Article	Type	Code
Flow400 Steel template	Accessories	4VMC00000824
External grills 340x340 mm plastic	Accessories	1VMC99083
External horizontal stainless-steel grills	Accessories	1VMC99084
Exterior vertical stainless-steel grills	Accessories	1VMC99097
ISO flex tube Ø102 mm L 5m + x2 clamps	Accessories	1VMC99087
ISO flex tube Ø203 mm L 5m + x2 clamps	Accessories	1VMC99093
Tube adapter 120x60 mm Ø100 mm x4	Accessories	1VMC99126
Rear outlet casing compatible with Flow400 heater	Accessories	1VMC99122
LH outlet casing compatible with Flow400 heater	Accessories	1VMC99134
RH outlet casing compatible with Flow400 heater	Accessories	1VMC99133
Ceiling casing compatible with Flow400 heater	Accessories	1VMC99125
Flow400 ceiling installation bracket	Accessories	1VMC99132
Flow400 Steel pre-heater	Accessories	1VMC99131
Flow400 Steel post-heater	Accessories	1VMC99123
STD flush-mounted control panel + 5m cable	Accessories	1VMC06006
Cloud recessed control panel + 5m cable	Accessories	1VMC06011
External control panel box 503	Accessories	1VMC99078
Steel ionizer	Accessories	1VMC99089
Radon monitor	Accessories	4VMC00000901
CO ₂ monitor ⁽¹⁾	Accessories	4VMC00000902
IAQ monitor ⁽¹⁾	Accessories	4VMC00000903
Coarse filter pre-heater	Filters	1VMC99162
Coarse filter pre-heater	Filters	1VMC99163
ePM1 80% + Coarse 80% Flow400 filter	Filters	1VMC99155
ePM1 80% + Coarse 80% Flow400 x10 filter	Filters	1VMC99156

1. Cloud Control Panel required

Flow-head charts

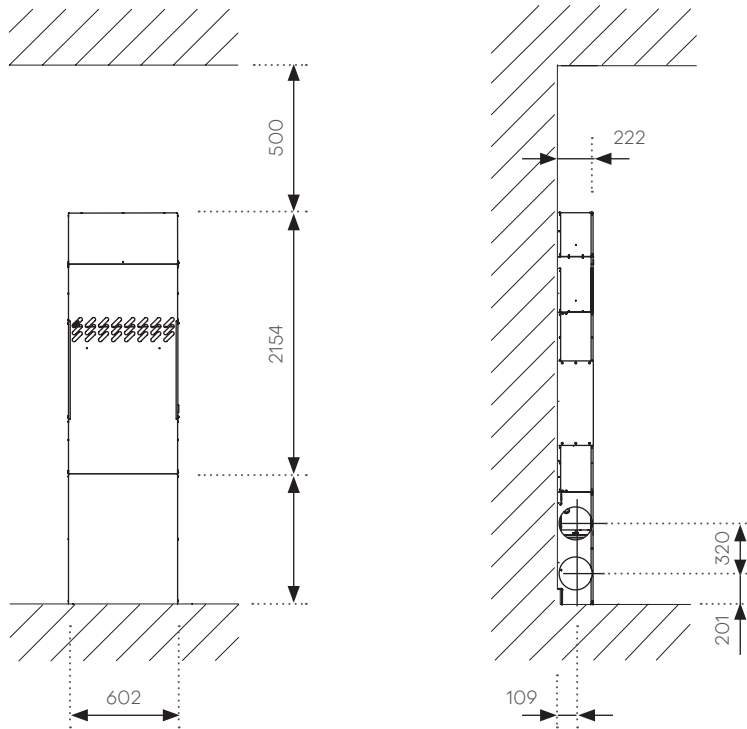
A Head **1** Super-minimum speed (night) **3** Speed 2 **5** Speed 4
B Flow rate **2** Speed 1 **4** Speed 3 **6** Hyperventilation



Dimensional drawings

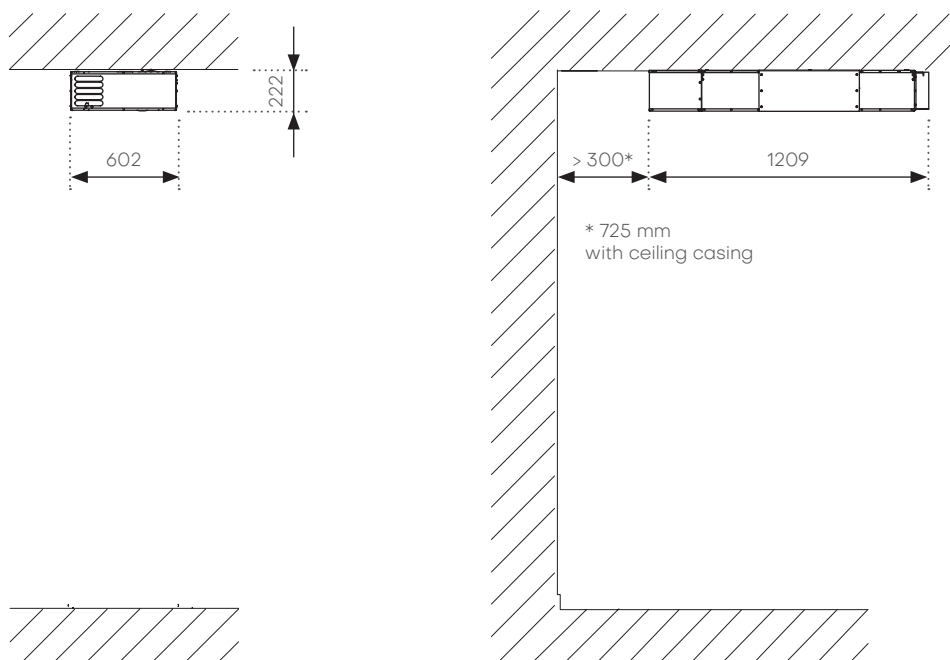
Flow400^{Steel}

Wall-mounted installation



Flow400^{Steel}

Ceiling installation







Flow600

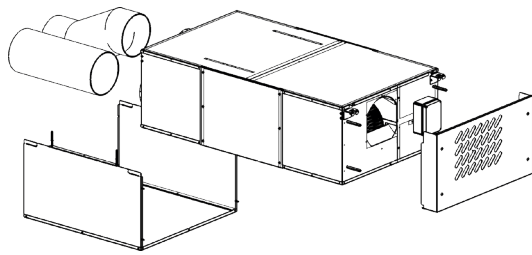
Slim shape, versatile performance

Flow600 Steel is ideal for installation in reception areas, offices, schools and kindergartens. Flow 600 Steel allows modulation of air exchange on **variable flow rates from 250 m³/h** (minimum speed) **to 600 m³/h** (maximum speed in hyperventilation mode), with four intermediate flow rates to flexibly meet design needs requiring high air renewal rates in medium to high-crowded environments, such as classrooms. The unit is equipped with an enthalpy cross-flow heat exchanger, allowing **heat recovery efficiency of up to 82%**. No condensate drain preparation is required. The Coarse 80% + ePM1 80%

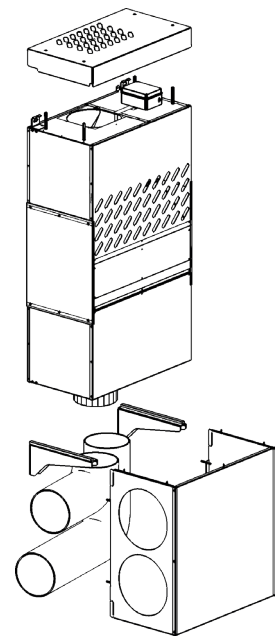
filter assembly fitted as standard ensures excellent filtration levels. The HRV unit is natively **integrated into a white painted steel cover**, complete with air intake and extraction openings, allowing the visible unit to be installed with no need for additional cosmetic covering. It can be **installed on the ceiling or as a vertical wall-mounted version** by means of a special tube casing, **allowing the intake/ extraction vents to be managed on either the right or left side**, so as to adapt to design requirements. **Two 200-mm** coring holes in the perimeter wall, or alternatively four 100 mm holes are sufficient.

IAQ sensors in the Pure version

In addition to the standard version, Flow600 Steel is also available in a Pure version with a hygrometric sensor and CO₂ and VOC sensor for monitoring essential occupant well-being parameters, such as relative humidity, carbon dioxide levels and volatile organic compounds. By detecting the values in real time, **the HRV can automatically adjust the air exchange according to the actual needs** read in the room to be ventilated.



Flow600^{Steel}
Ceiling installation



Flow600^{Steel}
Wall-mounted installation



82%

Heat recovery efficiency



35 dB(A)

Sound pressure



600 m³/h

Maximum airflow



**ISO Coarse 80%
+ ePM1 80%**

Intake air filtration



-40.6 kWh/m²a

SEC energy consumption (temperate climate)



Classe Energetica

A

Technical data

Functions and features	UOM	Flow600 ^{Steel}	
		STD	Pure
Version			
Night function		●	●
Hyperventilation		●	●
Filter replacement alert		●	●
Humidity sensor		-	●
CO ₂ and VOC sensor		-	●
Free Cooling		●	●
Control panel Removable STD		optional	optional
Control panel Removable cloud		optional	optional
On/Off LED panel		●	●
Helty Home app ⁽¹⁾		optional	optional
HCloud connection ⁽¹⁾		optional	optional
Airflow rate	m ³ /h	250/300/350/450/550/600 ⁽²⁾	
Flow adjustment		night + 4 stages + hyperventilation	
Power consumption	W	30/44/60/94/166/220 ⁽²⁾	
Supply voltage	V AC	230	
Max. current consumption ⁽³⁾	A	1	
Weight	kg	55	
Product dimensions (W x H x D)	mm	1374 x 395 x 706	
Heat exchanger		counter-flow enthalpy	
Heat recovery efficiency	%	82	
Bypass (free cooling/free heating)		manual electronic	
Sound power level ⁽⁴⁾	dB(A)	50/53/57/61/67/69 ⁽²⁾	
Sound pressure ⁽⁵⁾	dB(A)	35/39/43/47.4/52.5/55 ⁽²⁾	
Intake filter		ISO Coarse 80% + ePM1 80%	
Extraction filter		ISO Coarse 80%	
Modbus RTU rs485		Yes ⁽⁸⁾	
Reference climate		cold / temperate / warm	
Energy efficiency class (cold / temperate / hot)		A+ / A / E	
SEC (cold / temperate / warm) ⁽⁶⁾	kWh/m ² a	-76.8 / -40.6 / -17.2	
Internal leakage ⁽⁷⁾	%	2	
External leakage ⁽⁷⁾	%	0.5	
Rated external pressure Δps. ext ⁽⁶⁾	Pa	120	
Internal pressure drop Δps.int ⁽⁶⁾	Pa	360	
Energy performance filters ⁽⁶⁾		A+	
Kit		installation manual, HRV filters	
Code		1VMC04020	1VMC04015

1. Cloud control panel connection required
 2. In hyperventilation mode
 3. With 230 V AC supply voltage

4. According to UNI 3744:2010
 5. Measured 1 m below the unit, corrected with background noise and reverberation times

6. According to Regulation (EU) No. 1253/2014
 7. In accordance with EN 13141-8:2014-09
 8. The Cloud control panel functions are lost

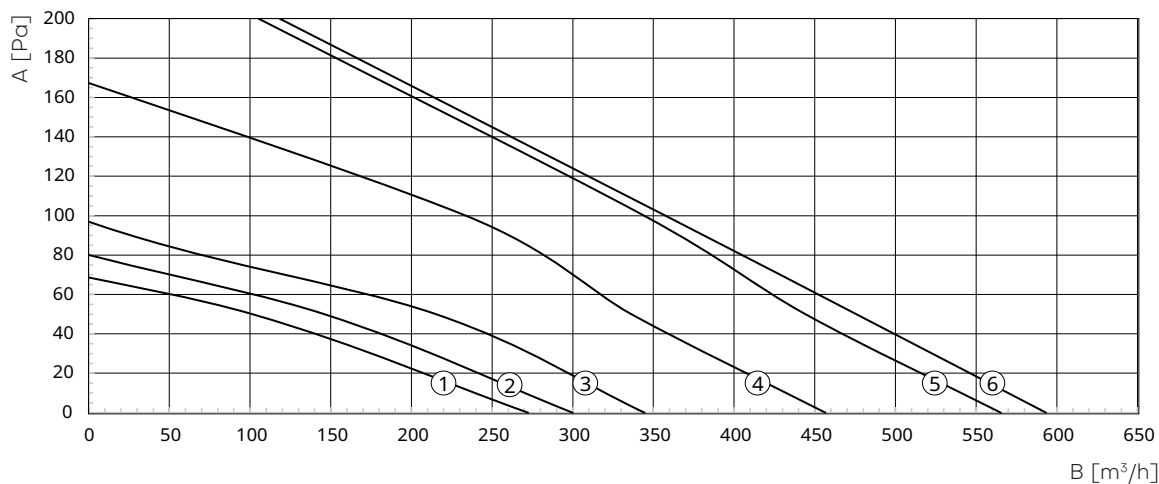
Accessories and spare parts

Article	Type	Code
Flow600/800/1000 template	Accessories	4VMC00000823
External grills 340x340 mm plastic	Accessories	1VMC99083
External horizontal stainless-steel grills	Accessories	1VMC99084
Exterior vertical stainless-steel grills	Accessories	1VMC99097
ISO flex tube Ø102 mm L 5m + x2 clamps	Accessories	1VMC99087
ISO flex tube Ø203 mm L 5m + x2 clamps	Accessories	1VMC99093
Tube adapter 120x60 mm Ø100 mm x4	Accessories	1VMC99092
Flow600 side casing	Accessories	1VMC99081
Flow600 ceiling casing	Accessories	1VMC99082
Flow600 rear casing	Accessories	1VMC99112
RH outlet casing compatible with Flow600 heater	Accessories	1VMC99136
Rear outlet casing compatible with Flow600 heater	Accessories	1VMC99144
RH output ceiling casing compatible with Flow600 heater	Accessories	1VMC99166
Ceiling casing compatible with Flow600 heater	Accessories	1VMC99146
Flow600 Steel pre-heater	Accessories	1VMC99148
Flow600/800/1000 Steel post-heater	Accessories	1VMC99094
Flow600 Steel oversized post-heater	Accessories	1VMC99102
STD flush-mounted control panel + 5 m cable	Accessories	1VMC06006
Cloud recessed control panel + 5 m cable	Accessories	1VMC06011
External control panel box 503	Accessories	1VMC99078
Steel ionizer	Accessories	1VMC99089
CO ₂ monitor ⁽²⁾	Accessories	4VMC00000902
IAQ monitor ⁽²⁾	Accessories	4VMC00000903
Coarse filter pre-heater	Filters	1VMC99162
Coarse filter pre-heater x10	Filters	1VMC99163
ePM1 80% + Coarse 80% Flow600 filter	Filters	1VMC99080
ePM1 80% + Coarse 80% Flow600 x10 filter	Filters	1VMC99079

1. Cloud Control Panel required

Flow-head charts

A Head **1** Super-minimum speed (night) **3** Speed 2 **5** Speed 4
B Flow rate **2** Speed 1 **4** Speed 3 **6** Hyperventilation

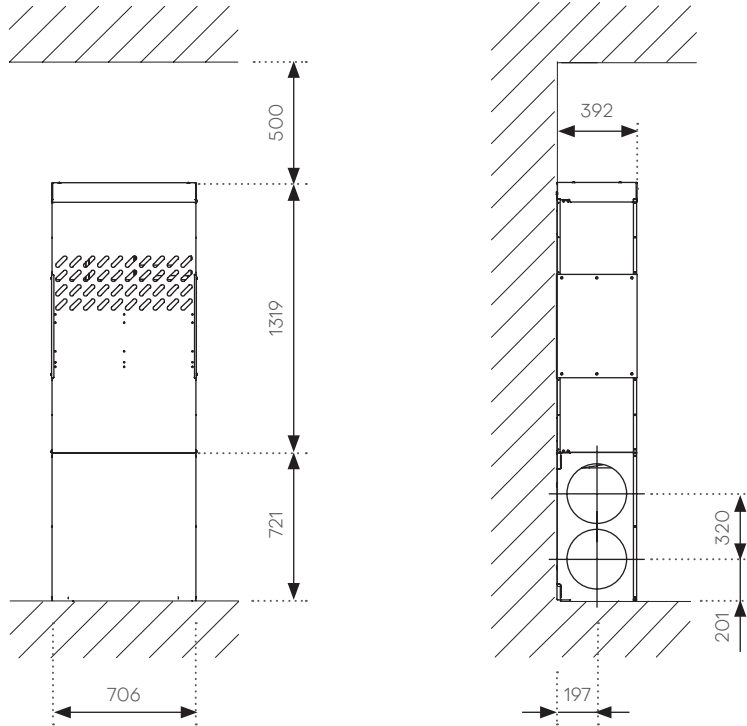


.....

Dimensional drawings

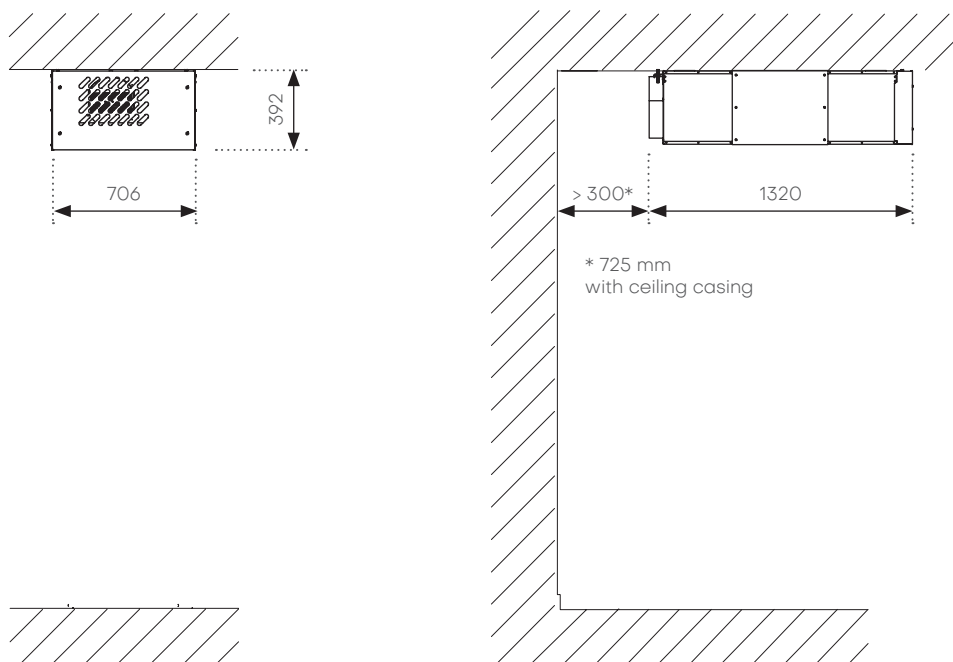
Flow600^{Steel}

Wall-mounted installation



Flow600^{Steel}

Ceiling installation







Flow800/800-R

High air exchange without sacrificing aesthetics and acoustics

High-performing and quiet, Flow800 is now updated and expands its family with new versions to respond in full to the needs of designers and customers.

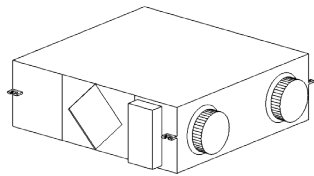
The range features new versions alongside the HRV unit, ideal for false ceiling applications, such as **Flow800 Steel**, where the HRV is natively integrated into a white painted steel cover for visible installations and suitable for ceiling and wall installations. **Flow800 Silent**, completed by a white wood cosmetic cover, for ceiling installations requiring **minimised aesthetic and acoustic impact of the HRV and FlowM800**, where the ventilation unit is made totally invisible by camouflaging it on

a white cabinet offering ease of integration in environments and great simplicity of access to the unit for inspections and filter changes. The airflow can be modulated over 6 values, from 300 m³/h (minimum speed in night mode) up to **800 m³/h** (maximum speed in hyperventilation), by means of the panel featuring Helty's standard user-friendly control interface. A control panel for recessed installation in 503 electrical boxes is also available as an accessory. The enthalpy heat exchanger ensures **80% heat exchange efficiency**, while the **dual Coarse 80% + ePM1 80% filter** stops approximately 90% of PM10 and 80% of PM2.5 by bringing oxygenated and purified air inside.

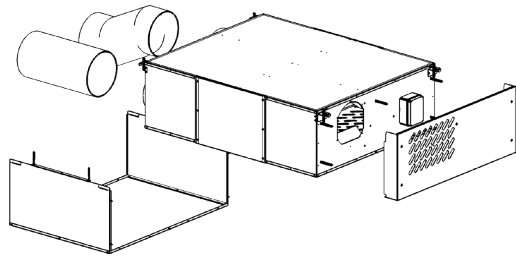


IAQ sensors and effective action against radon

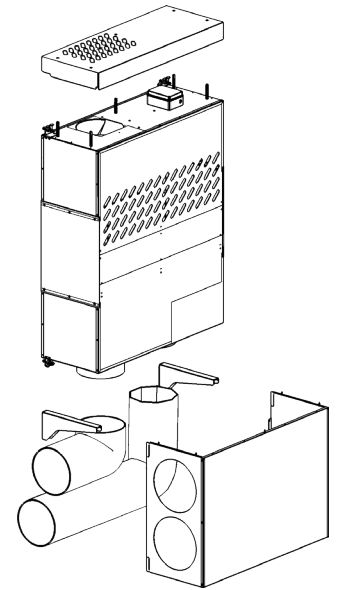
Flow800 is also available in a Pure version, with **hygrometric sensor and CO₂ and VOC sensors** that allow the HRV unit to monitor humidity and indoor pollutant parameters, automatically adjusting the air exchange as needed. The **Flow800-R** version is designed to restore **radon gas concentration to optimal values**, restoring healthy environments and helping to mitigate risk.



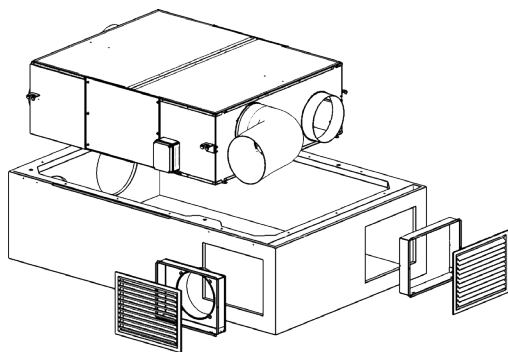
Flow800
HRV unit



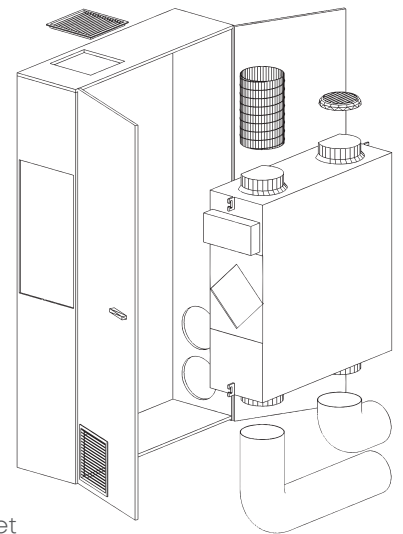
Flow800^{Steel}
Ceiling installation



Flow800^{Steel}
Wall-mounted installation



Flow800^{Silent}
HRV with wooden cover for
ceiling installation



FlowM800
HRV in wooden cabinet



80%

Heat recovery
efficiency



21.5 dB(A)

Sound pressure



800 m³/h

Maximum airflow



**ISO Coarse 80%
+ ePM1 80%**

Intake air filtration



-41.3 kWh/m²a

SEC energy consumption
(temperate climate)




Scan the QR Code to
view the case histories

Classe
Energetica

A

Technical data

Functions and features	UOM	Flow800		Flow800 ^{Steel}		
		STD	Pure	STD	Pure	R 
Version						
Night function		●	●	●	●	●
Hyperventilation		●	●	●	●	●
Filter replacement alert		●	●	●	●	●
Humidity sensor		-	●	-	●	-
CO ₂ and VOC sensor		-	●	-	●	-
Radon scenario		-	-	-	-	●
Radon sensor ⁽¹⁾		-	-	-	-	optional
Free Cooling		●	●	●	●	●
Control panel Removable STD		optional	optional	optional	optional	-
Control panel Removable cloud		optional	optional	optional	optional	●
On/Off LED panel		●	●	●	●	●
Helty Home app ⁽¹⁾		optional	optional	optional	optional	●
HCloud connection ⁽¹⁾		optional	optional	optional	optional	●
Airflow rate	m ³ /h	300/350/500/600/700/800 ⁽²⁾				
Flow adjustment		night + 4 stages + hyperventilation				
Power consumption	W	22/26/46/61/90/138 ⁽²⁾				
Supply voltage	V AC	230				
Max. current consumption ⁽³⁾	A	0.7				
HRV unit weight	kg	73		75		
HRV unit dimensions (W x H x D)	mm	1320 x 392 x 1020		1374 x 395 x 1024		
Heat exchanger		enthalpy cross-flow				
Heat recovery efficiency	%	80				
Bypass (free cooling/free heating)		manual electronic				
Sound power level ⁽⁴⁾	dB(A)	37.2/39.7/46.7/53.3/57.7/58.7 ⁽²⁾		43.5/46.2/54.9/56.9/59.4/64.4 ⁽²⁾		
Sound pressure ⁽⁵⁾	dB(A)	21.5/24/31/37.6/42/43 ⁽²⁾		28.6/31.3/40/42/44.5/49.5 ⁽²⁾		
Intake filter		ISO Coarse 80% + ePM1 80%				
Extraction filter		ISO Coarse 80%				
Modbus RTU rs485		Yes ⁽⁸⁾				
Reference climate		cold / temperate / warm				
Energy efficiency class (cold / temperate / hot)		A+ / A / E				
SEC (cold / temperate / warm) ⁽⁶⁾	kWh/m ² a	-77.1 / -41.3 / -18.1				
Internal leakage ⁽⁷⁾	%	2				
External leakage ⁽⁷⁾	%	1				
Rated external pressure Δps.ext ⁽⁶⁾	Pa	300		150		
Internal pressure drop Δps.int ⁽⁶⁾	Pa	420		340		
Energy performance filters ⁽⁶⁾		A+				
Kit		installation manual, HRV filters		installation manual, HRV filters		installation manual, user manual, control panel, HRV filters
Code		1VMC04010	1VMC04022	1VMC04021	1VMC04012	1VMC04027

1. Cloud control panel connection required
 2. In hyperventilation mode
 3. With 230 V AC supply voltage

4. According to UNI 3744:2010
 5. Measured 1 m below the unit, corrected with background noise and reverberation times

6. According to Regulation (EU) No. 1253/2014
 7. In accordance with EN 13141-8:2014-09
 8. The Cloud control panel functions are lost

Technical data

Functions and features	UOM	Flow800 ^{Silent}		FlowM800				
		STD	Pure	LH STD	LH Pure	RH STD	RH Pure	
Version								
Night function		●	●	●	●	●	●	
Hyperventilation		●	●	●	●	●	●	
Filter replacement alert		●	●	●	●	●	●	
Humidity sensor		-	●	-	●	-	●	
CO ₂ and VOC sensor		-	●	-	●	-	●	
Free Cooling		●	●	●	●	●	●	
Control panel Removable STD		optional	optional	optional	optional	optional	optional	
Control panel Removable cloud		optional	optional	optional	optional	optional	optional	
On/Off LED panel		●	●	●	●	●	●	
Hely Home app ⁽¹⁾		optional	optional	optional	optional	optional	optional	
HCloud connection ⁽¹⁾		optional	optional	optional	optional	optional	optional	
Airflow rate	m ³ /h	300/350/500/600/700/800 ⁽²⁾						
Flow adjustment		night + 4 stages + hyperventilation						
Power consumption	W	22/26/46/61/90/138 ⁽²⁾						
Supply voltage	V AC	230						
Max. current consumption ⁽³⁾	A	0.7						
HRV unit weight	kg	73						
Wooden cover weight	kg	60		-				
FlowM cabinet weight	kg	-		93				
HRV unit dimensions (W x H x D)	mm	1320 x 392 x 1020		1374 x 395 x 1024				
Wooden cover dimensions (W x H x D)	mm	1797 x 475 x 1213		-				
FlowM cabinet dimensions (W x H x D)	mm	-		1236 x 2400 x 450				
Heat exchanger		enthalpy cross-flow						
Heat recovery efficiency	%	80						
Bypass (free cooling/free heating)		manual electronic						
Sound power level ⁽⁴⁾	dB(A)	37.2/39.7/46.7/53.3/57.7/58.7 ⁽²⁾						
Sound pressure ⁽⁵⁾	dB(A)	21.5/24/31/37.6/42/43 ⁽²⁾						
Intake filter		ISO Coarse 80% + ePM1 80%						
Extraction filter		ISO Coarse 80%						
Modbus RTU rs485		Yes ⁽⁸⁾						
Reference climate		cold / temperate / warm						
Energy efficiency class (cold / temperate / hot)		A+ / A / E						
SEC (cold / temperate / warm) ⁽⁶⁾	kWh/m ² a	-77.1 / -41.3 / -18.1						
Internal leakage ⁽⁷⁾	%	2						
External leakage ⁽⁷⁾	%	1						
Rated external pressure Δps. ext ⁽⁶⁾	Pa	300						
Internal pressure drop Δps.int ⁽⁶⁾	Pa	420						
Energy performance filters ⁽⁶⁾		A+						
Kit		installation manual, ceiling cabinet with intake and extraction grills, support frame, HRV filters			installation manual, cabinet housing with doors, extraction and intake grills, support brackets, HRV filters			
Code		1VMC04023	1VMC04024	1VMC01048	1VMC01055	1VMC01047	1VMC01056	

1. In hyperventilation mode
 2. With 230 V AC supply voltage
 3. According to UNI 3744:2010

4. In accordance with EN 13141-8:2014-09
 5. Measured 1 m below the unit. Correct with background noise and reverberation times

6. According to Regulation (EU) No. 1253/2014
 7. Cloud control panel connection required
 8. The Cloud control panel functions are lost

.....

Accessories and spare parts

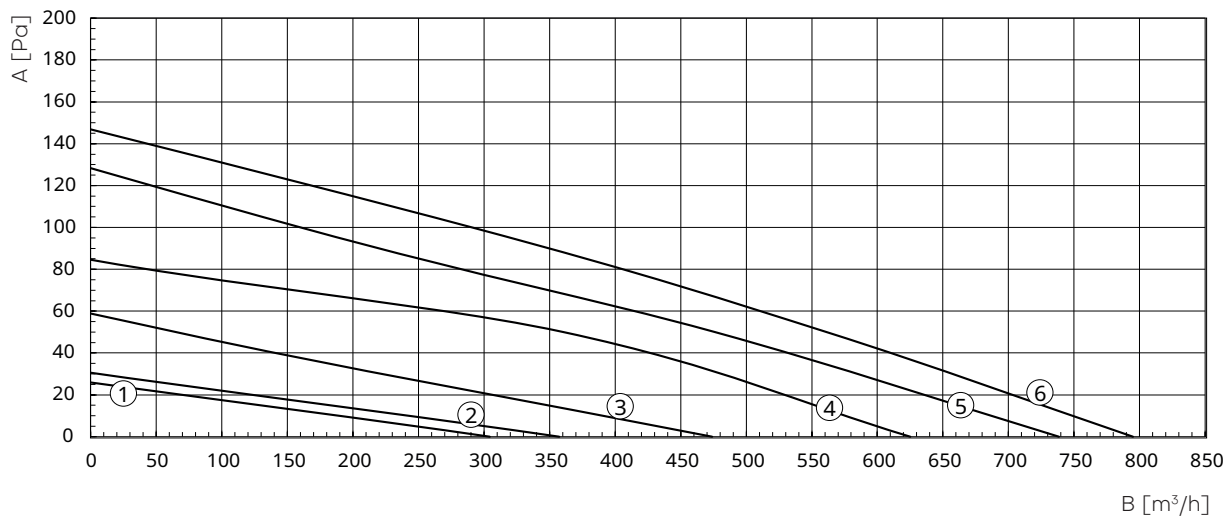
Article	Type	Code
External grills 340x340 mm plastic	Accessories	1VMC99083
External horizontal stainless-steel grills	Accessories	1VMC99084
Exterior vertical stainless-steel grills	Accessories	1VMC99097
Tube adapter 120x60 mm Ø125 mm x4	Accessories	1VMC99091
ISO flex tube Ø127 mm L 5m + x2 clamps	Accessories	1VMC99086
ISO flex tube Ø254 mm L 5m + x2 clamps	Accessories	1VMC99085
Flow800/1000 Steel pre-heater	Accessories	1VMC99149
Flow800/1000 Silent post-heater	Accessories	1VMC99088
Flow600/800/1000 Steel post-heater	Accessories	1VMC99094
Flow800/1000M post-heater	Accessories	1VMC99101
Flow800/1000M and Silent ionizer	Accessories	1VMC99090
STD flush-mounted control panel + 5 m cable	Accessories	1VMC06006
Cloud recessed control panel + 5 m cable	Accessories	1VMC06011
External control panel box 503	Accessories	1VMC99078
CO ₂ monitor ⁽¹⁾	Accessories	4VMC00000902
IAQ monitor ⁽¹⁾	Accessories	4VMC00000903
Coarse filter pre-heater	Filters	1VMC99162
Coarse filter pre-heater x10	Filters	1VMC99163
ePM1 80% + Coarse 80% Flow800 filter	Filters	1VMC99050
ePM1 80% + Coarse 80% Flow800 x10 filter	Filters	1VMC99061

1. Cloud Control Panel required

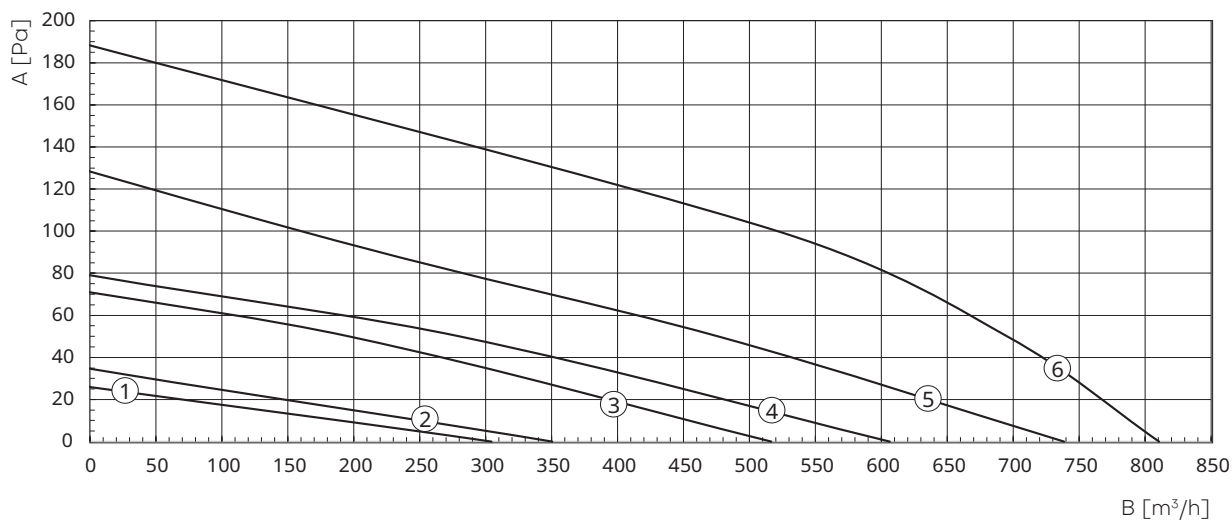
Flow-head charts

- A Head
- B Flow rate
- 1 Super-minimum speed (night)
- 2 Speed 1
- 3 Speed 2
- 4 Speed 3
- 5 Speed 4
- 6 Hyperventilation

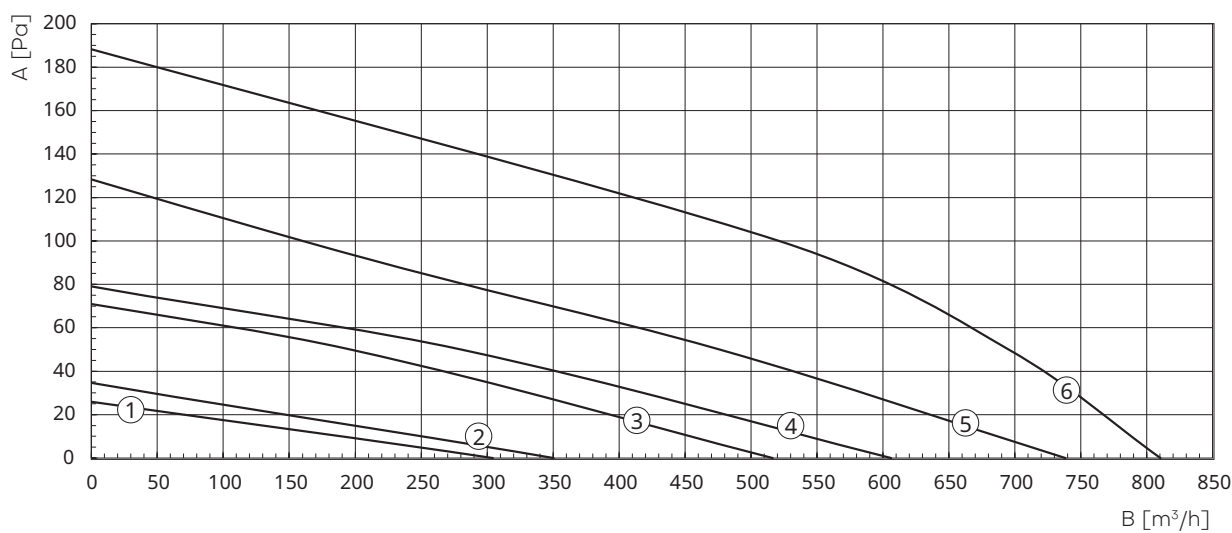
Flow800^{Steel}



Flow800^{Silent}



FlowM800

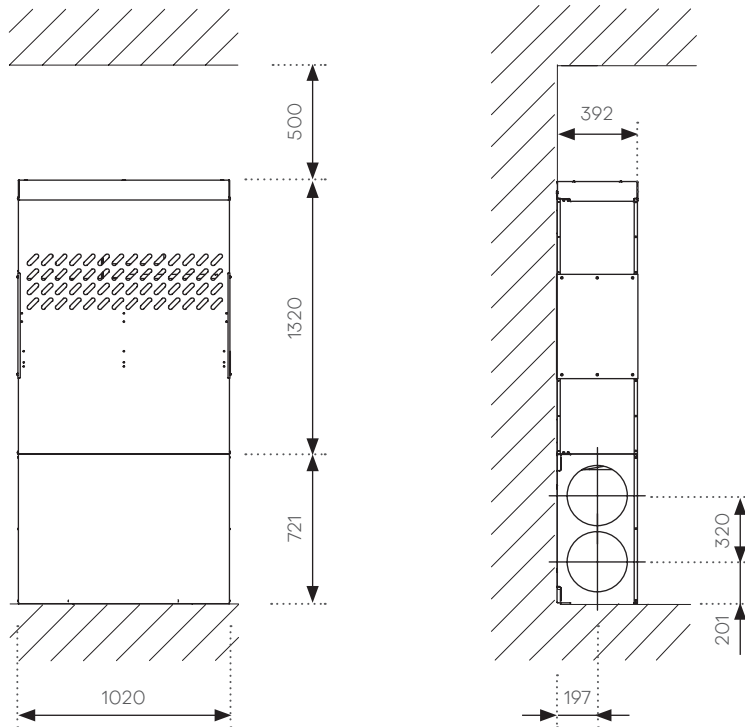


.....

Dimensional drawings

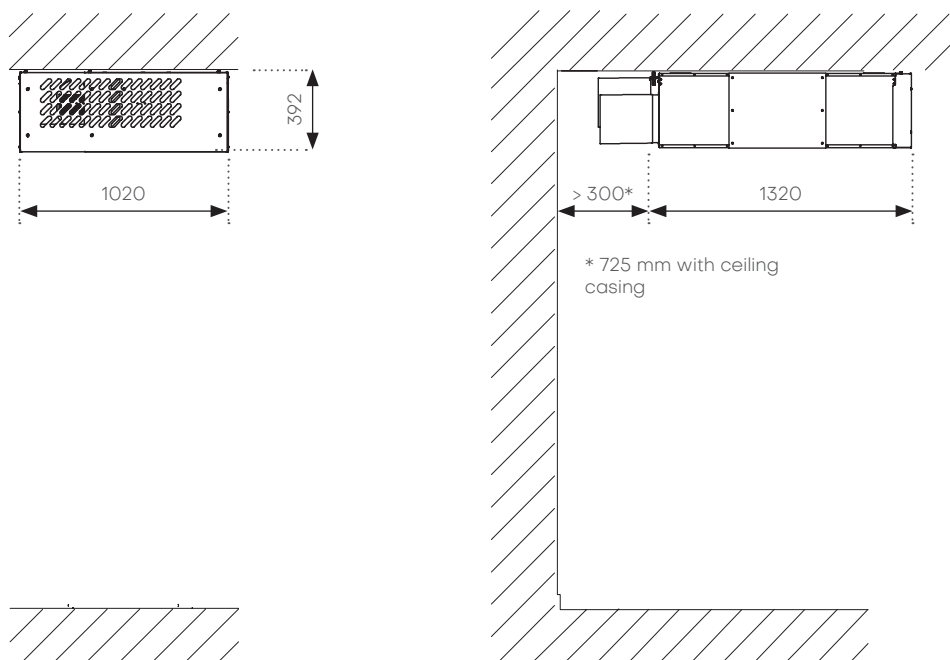
Flow800^{Steel}

Wall-mounted installation



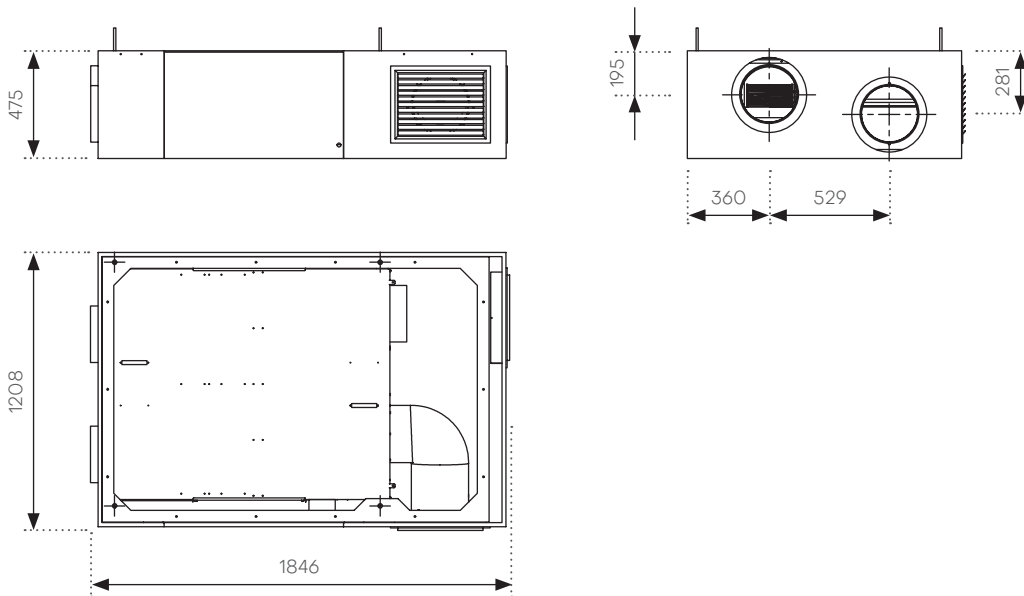
Flow800^{Steel}

Ceiling installation

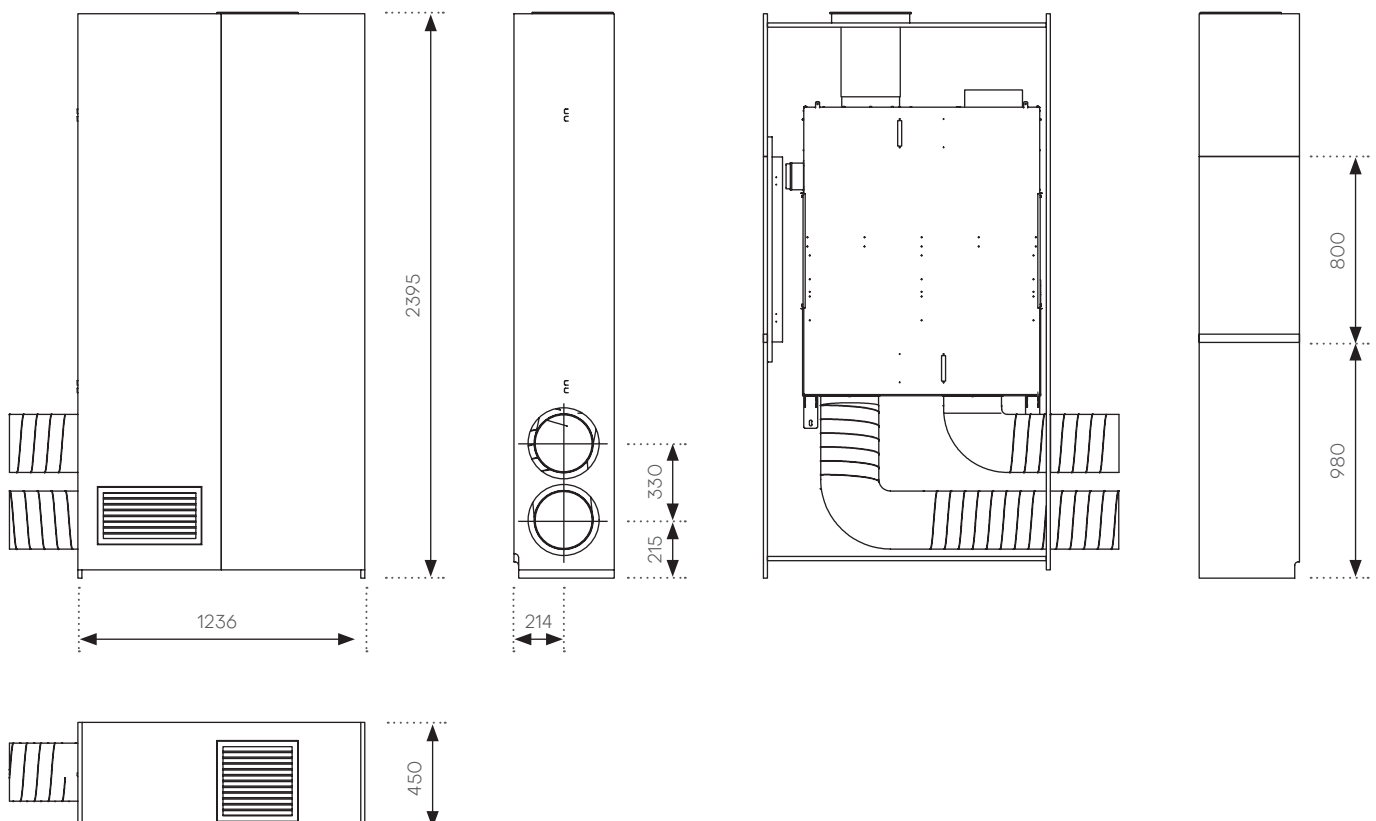


Dimensional drawings

Flow800^{Silent}
 HRV with wooden cover for ceiling installation



FlowM800 - left side
 HRV in wooden cabinet

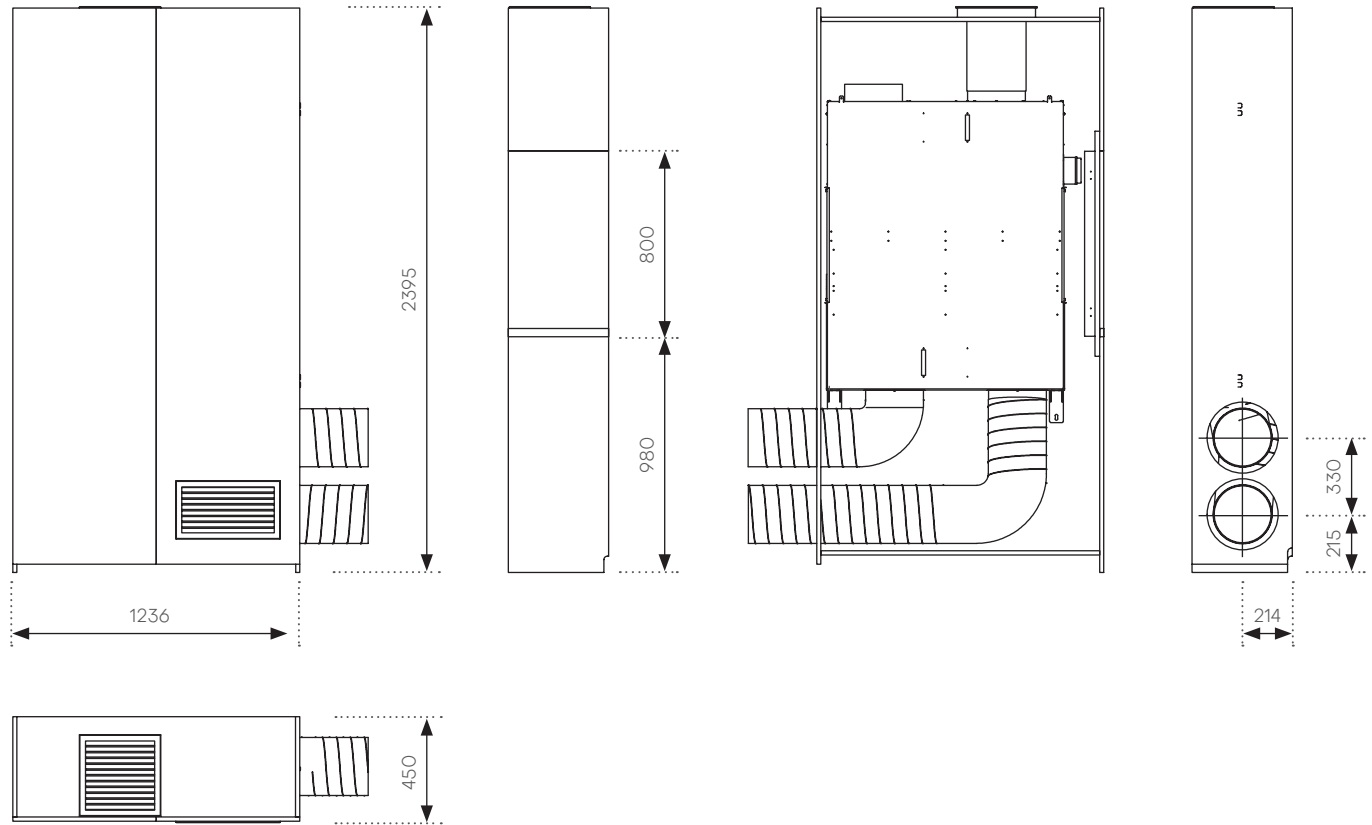


.....



Dimensional drawings

FlowM800 - right side
HRV in wooden cabinet







Flow1000

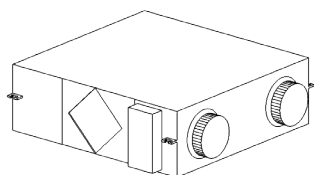
*Top-class decentralised ventilation
for retrofitting existing buildings*

Flow1000, the latest addition to the HRV Community family, was created to meet the need for optimal air exchange in all **very crowded locations** – such as classrooms, kindergartens, leisure facilities, shared offices, co-working spaces, shops, canteens – where it is essential to have high air quality without sacrificing comfort and energy saving. With **variable airflow of up to 1000 m³/h**, it is ideal for integrating a decentralised HRV system into existing buildings without resorting to complex and invasive masonry work, while minimising ductwork and installation time. Flow1000 is available not only as **HRV unit only** but as **Flow1000**

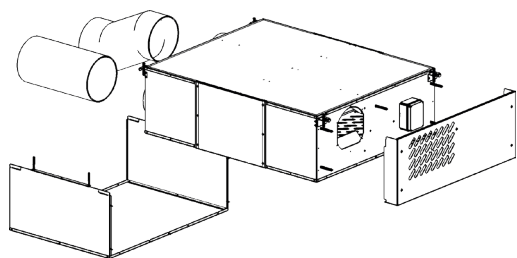
Steel – with white-painted steel cover, for visible installation – **Flow1000 Silent** – with white-painted wooden masking cover for ceiling installations – and **FlowM1000** with vertical white wooden cabinet structure. Features include **80% heat recovery** efficiency, excellent air purification capabilities with Coarse 80% + ePM1 80% filters. **Ease of maintenance** makes it the ideal solution for a HRV retrofits with no trade-offs. The installation requires two 250 mm coring holes in the external wall for the air supply and exhaust flows; it can also be managed by means of 4 x 125 mm conduits using accessories.

*Even greater
sanitisation with
ionisation*

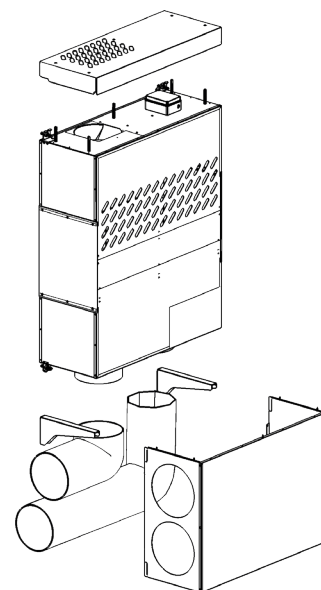
To enhance indoor air purification, the Flow1000 Silent and M1000 versions can accommodate an energy-efficient active sanitising device that generates **bipolar ions**, developed to provide confined indoor environments with the air quality found in nature. **The combined action of air dilution, filtration and sanitisation** reduces the risks of airborne distribution of microbial, bacterial and viral loads.



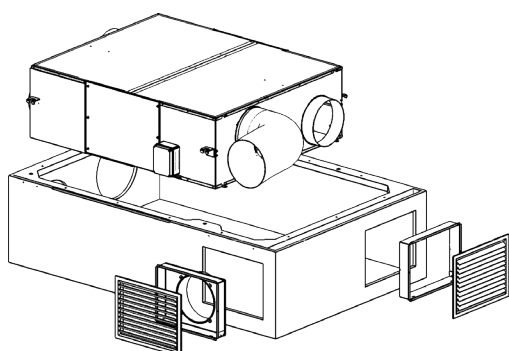
Flow1000
HRV unit



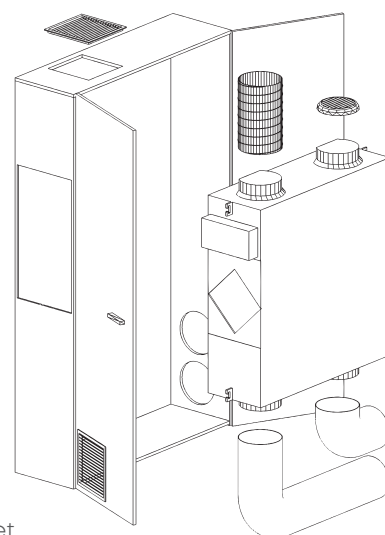
Flow1000^{Steel}
Ceiling installation



Flow1000^{Steel}
Wall-mounted installation



Flow1000^{Silent}
HRV with wooden cover for
ceiling installation



FlowM1000
HRV in wooden cabinet



80%

Heat recovery
efficiency



21.5 dB(A)

Sound pressure



1000 m³/h

Maximum airflow



**ISO Coarse 80%
+ ePM1 80%**

Intake air filtration



-40.4 kWh/m²a

SEC energy consumption
(temperate climate)

Classe
Energetica

A

Technical data

Functions and features	UOM	Flow1000		Flow1000 ^{Steel}	
		STD	Pure	STD	Pure
Version					
Night function		●	●	●	●
Hyperventilation		●	●	●	●
Filter replacement alert		●	●	●	●
Humidity sensor		-	●	-	●
CO ₂ and VOC sensor		-	●	-	●
Free Cooling		●	●	●	●
Control panel Removable STD		optional	optional	optional	optional
Control panel Removable cloud		optional	optional	optional	optional
On/Off LED panel		●	●	●	●
Helty Home app ⁽¹⁾		optional	optional	optional	optional
HCloud connection ⁽¹⁾		optional	optional	optional	optional
Airflow rate	m ³ /h	300/400/550/700/850/1000 ⁽²⁾			
Flow adjustment		night + 4 stages + hyperventilation			
Power consumption	W	25/44/77/130/210/320 ⁽²⁾			
Supply voltage	V AC	230			
Max. current consumption ⁽³⁾	A	1.7			
HRV unit weight	kg	73		75	
HRV unit dimensions (W x H x D)	mm	1320 x 392 x 1020		1374 x 395 x 1024	
Heat exchanger		enthalpy cross-flow			
Heat recovery efficiency	%	80			
Bypass (free cooling/free heating)		manual electronic			
Sound power level ⁽⁴⁾	dB(A)	37.2/41.7/48.7/57.7/59.2/60.7 ⁽²⁾		44/48/55/59/64.8/68 ⁽²⁾	
Sound pressure ⁽⁵⁾	dB(A)	21.5/26/33/42/43.5/45 ⁽²⁾		29/34/40/45/50/54 ⁽²⁾	
Intake filter		ISO Coarse 80% + ePM1 80%			
Extraction filter		ISO Coarse 80%			
Modbus RTU rs485		Yes ⁽⁸⁾			
Reference climate		cold / temperate / warm			
Energy efficiency class (cold / temperate / hot)		A+ / A / E			
SEC (cold / temperate / warm) ⁽⁶⁾	kWh/m ² a	-76.0 / -40.4 / -17.3			
Internal leakage ⁽⁷⁾	%	2			
External leakage ⁽⁷⁾	%	1			
Rated external pressure $\Delta p_{s, ext}$ ⁽⁴⁾	Pa	340		130	
Internal pressure drop $\Delta p_{s, int}$ ⁽⁴⁾	Pa	800		700	
Energy performance filters ⁽⁴⁾		A+			
Kit		installation manual, HRV filters		installation manual, HRV filters	
Code		1VMC04016	1VMC04017	1VMC04025	1VMC04026

1. Cloud control panel connection required
 2. In hyperventilation mode
 3. With 230 V AC supply voltage

4. According to UNI 3744:2010
 5. Measured 1 m below the unit, corrected with background noise and reverberation times

6. According to Regulation (EU) No. 1253/2014
 7. In accordance with EN 13141-8:2014-09
 8. The Cloud control panel functions are lost

Technical data

Functions and features	UOM	Flow1000 ^{Silent}		FlowM1000				
		STD	Pure	LH STD	LH Pure	RH STD	RH Pure	
Version								
Night function		●	●	●	●	●	●	
Hyperventilation		●	●	●	●	●	●	
Filter replacement alert		●	●	●	●	●	●	
Humidity sensor		-	●	-	●	-	●	
CO ₂ and VOC sensor		-	●	-	●	-	●	
Free Cooling		●	●	●	●	●	●	
Control panel Removable STD		optional	optional	optional	optional	optional	optional	
Control panel Removable cloud		optional	optional	optional	optional	optional	optional	
On/Off LED panel		●	●	●	●	●	●	
Hely Home app ⁽⁷⁾		optional	optional	optional	optional	optional	optional	
HCloud connection ⁽⁷⁾		optional	optional	optional	optional	optional	optional	
Airflow rate	m ³ /h	300/400/550/700/850/1000						
Flow adjustment		night + 4 stages + hyperventilation						
Power consumption	W	25/44/77/130/210/320						
Supply voltage	V AC	230						
Max. current consumption ⁽²⁾	A	17						
HRV unit weight	kg	73						
Wooden cover weight	kg	60		-				
FlowM cabinet weight	kg	-		93				
HRV unit dimensions (W x H x D)	mm	1320 x 392 x 1020		1374 x 395 x 1024				
Wooden cover dimensions (W x H x D)	mm	1797 x 475 x 1213		-				
FlowM cabinet dimensions (W x H x D)	mm	-		1236 x 2400 x 450				
Heat exchanger		enthalpy cross-flow						
Heat recovery efficiency	%	80						
Bypass (free cooling/free heating)		manual electronic						
Sound power level ⁽³⁾	dB(A)	37.2/41.7/48.7/57.7/59.2/60.7						
Sound pressure ⁽⁵⁾	dB(A)	21.5/26/33/42/43.5/45						
Intake filter		ISO Coarse 80% + ePM1 80%						
Extraction filter		ISO Coarse 80%						
Modbus RTU rs485		Yes ⁽⁸⁾						
Reference climate		cold / temperate / warm						
Energy efficiency class (cold / temperate / hot)		A+ / A / E						
SEC (cold / temperate / warm) ⁽⁶⁾	kWh/m ² a	-76.0 / -40.4 / -17.3						
Internal leakage ⁽⁴⁾	%	2						
External leakage ⁽⁴⁾	%	1						
Rated external pressure Δps. ext ⁽⁴⁾	Pa	430						
Internal pressure drop Δps.int ⁽⁴⁾	Pa	800						
Energy performance filters ⁽⁶⁾		A+						
Kit		installation manual, ceiling cabinet with intake and extraction grills, support frame, HRV filters			installation manual, cabinet housing with doors, extraction and intake grills, support brackets, HRV filters			
Code		1VMC04018	1VMC04019	1VMC01053	1VMC01054	1VMC01051	1VMC01052	

1. In hyperventilation mode
 2. With 230 V AC supply voltage
 3. According to UNI 3744:2010

4. In accordance with EN 13141-8:2014-09
 5. Measured 1 m below the unit. Correct with background noise and reverberation times

6. According to Regulation (EU) No. 1253/2014
 7. Cloud control panel connection required
 8. The Cloud control panel functions are lost

.....

Accessories and spare parts

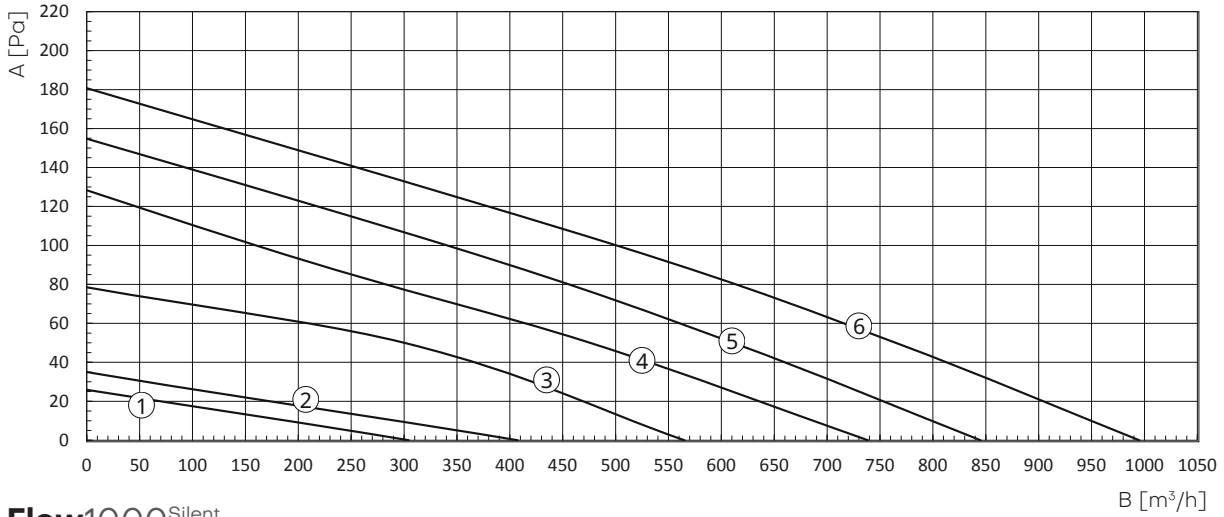
Article	Type	Code
Flow600/800/1000 template	Accessories	4VMC00000823
External grills 340x340 mm plastic	Accessories	1VMC99083
External horizontal stainless-steel grills	Accessories	1VMC99084
Exterior vertical stainless-steel grills	Accessories	1VMC99097
ISO flex tube Ø127 mm L 5m + x2 clamps	Accessories	1VMC99086
ISO flex tube Ø254 mm L 5m + x2 clamps	Accessories	1VMC99085
Tube adapter 120x60 mm Ø125 mm x4	Accessories	1VMC99091
Flow800/1000 side casing	Accessories	1VMC99073
Flow800/1000 ceiling casing	Accessories	1VMC99074
Flow800/1000 rear casing	Accessories	1VMC99111
Flow800/1000 Steel pre-heater	Accessories	1VMC99149A
Flow600/800/1000 Steel post-heater	Accessories	1VMC99094
Flow800/1000M post-heater	Accessories	1VMC99101
Flow800/1000 Silent post-heater	Accessories	1VMC99088
STD flush-mounted control panel + 5m cable	Accessories	1VMC06006
Cloud recessed control panel + 5m cable	Accessories	1VMC06011
External control panel box 503	Accessories	1VMC99078
Steel ionizer	Accessories	1VMC99089
Flow800/1000M and Silent ionizer	Accessories	1VMC99090
CO ₂ monitor ⁽¹⁾	Accessories	4VMC00000902
IAQ monitor ⁽¹⁾	Accessories	4VMC00000903
Coarse filter pre-heater	Filters	1VMC99162
Coarse filter pre-heater x10	Filters	1VMC99163
Filter ePM1 80% + Coarse80%Flow800	Filters	1VMC99050
ePM1 80% + Coarse 80% Flow800 x10 filter	Filters	1VMC99061

1. Cloud Control Panel required

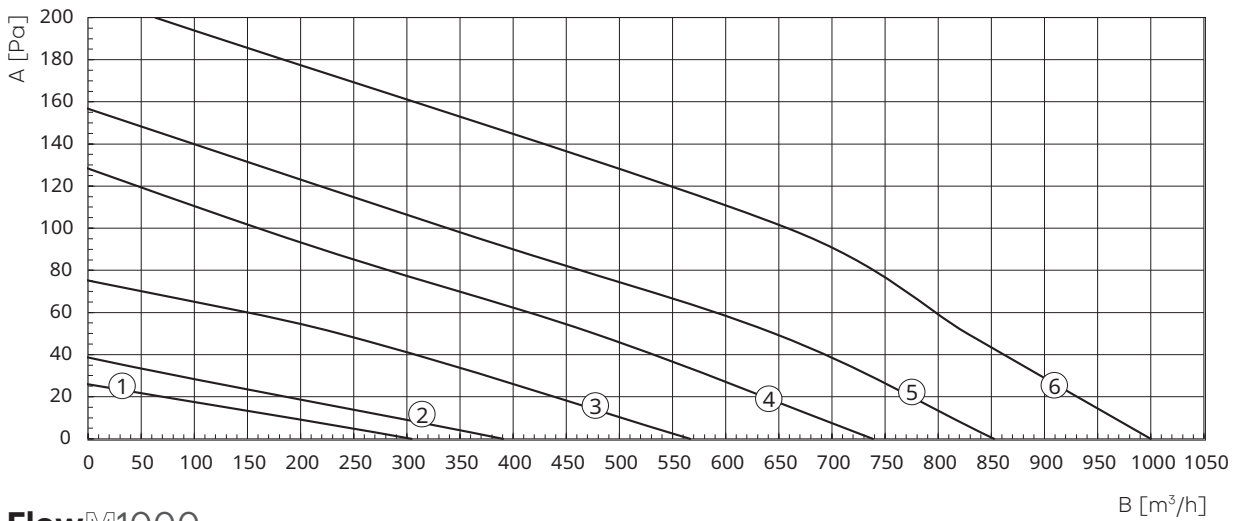
Flow-head charts

- A Head
- B Flow rate
- 1 Super-minimum speed (night)
- 2 Speed 1
- 3 Speed 2
- 4 Speed 3
- 5 Speed 4
- 6 Hyperventilation

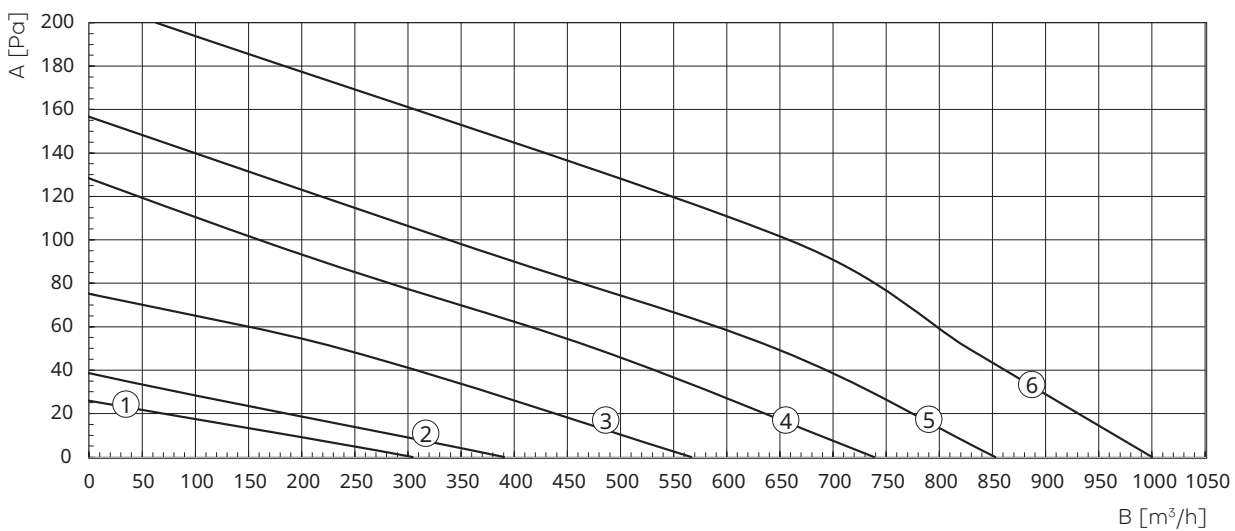
Flow1000^{Steel}



Flow1000^{Silent}



FlowM1000

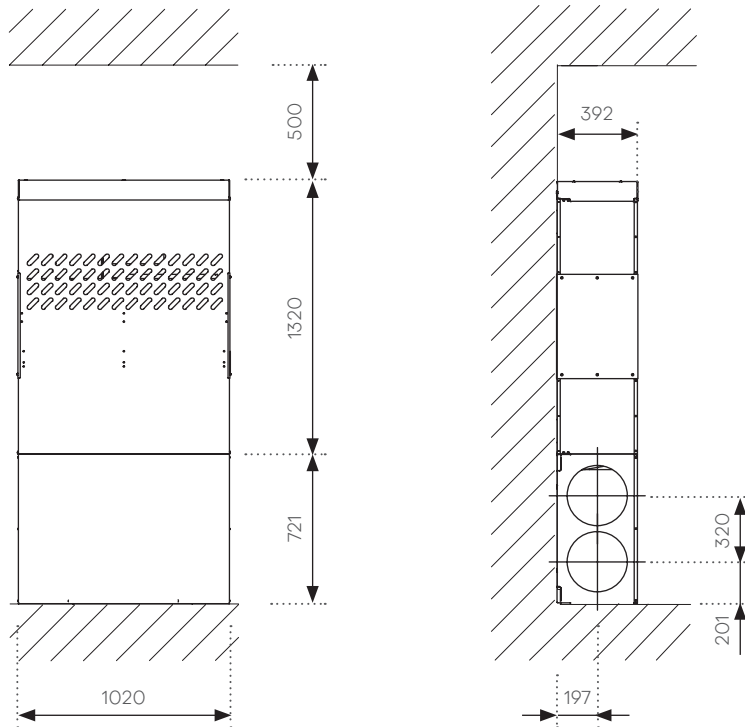


.....

Dimensional drawings

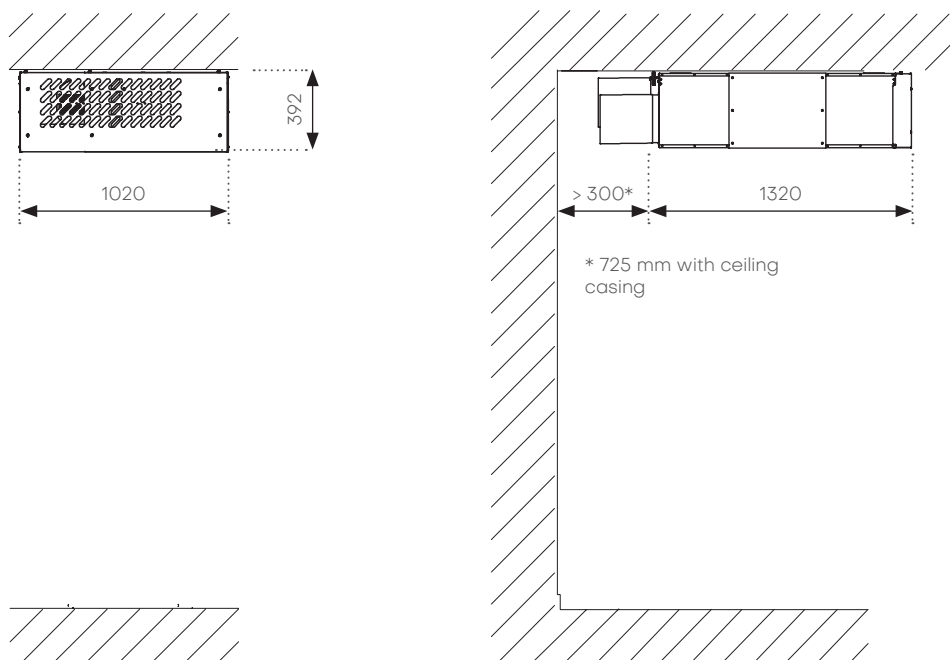
Flow1000^{Steel}

Wall-mounted installation



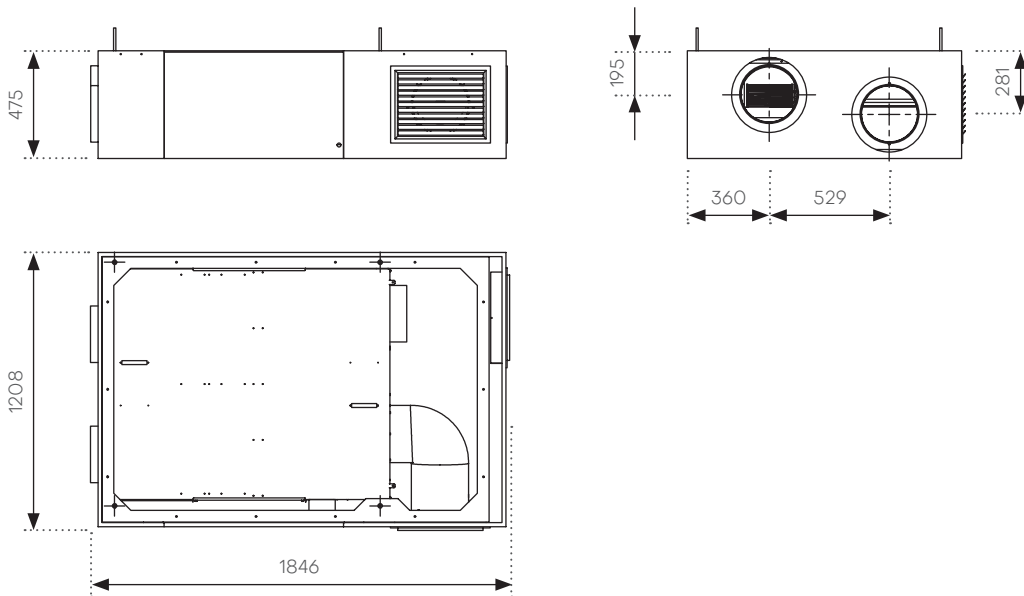
Flow1000^{Steel}

Ceiling installation

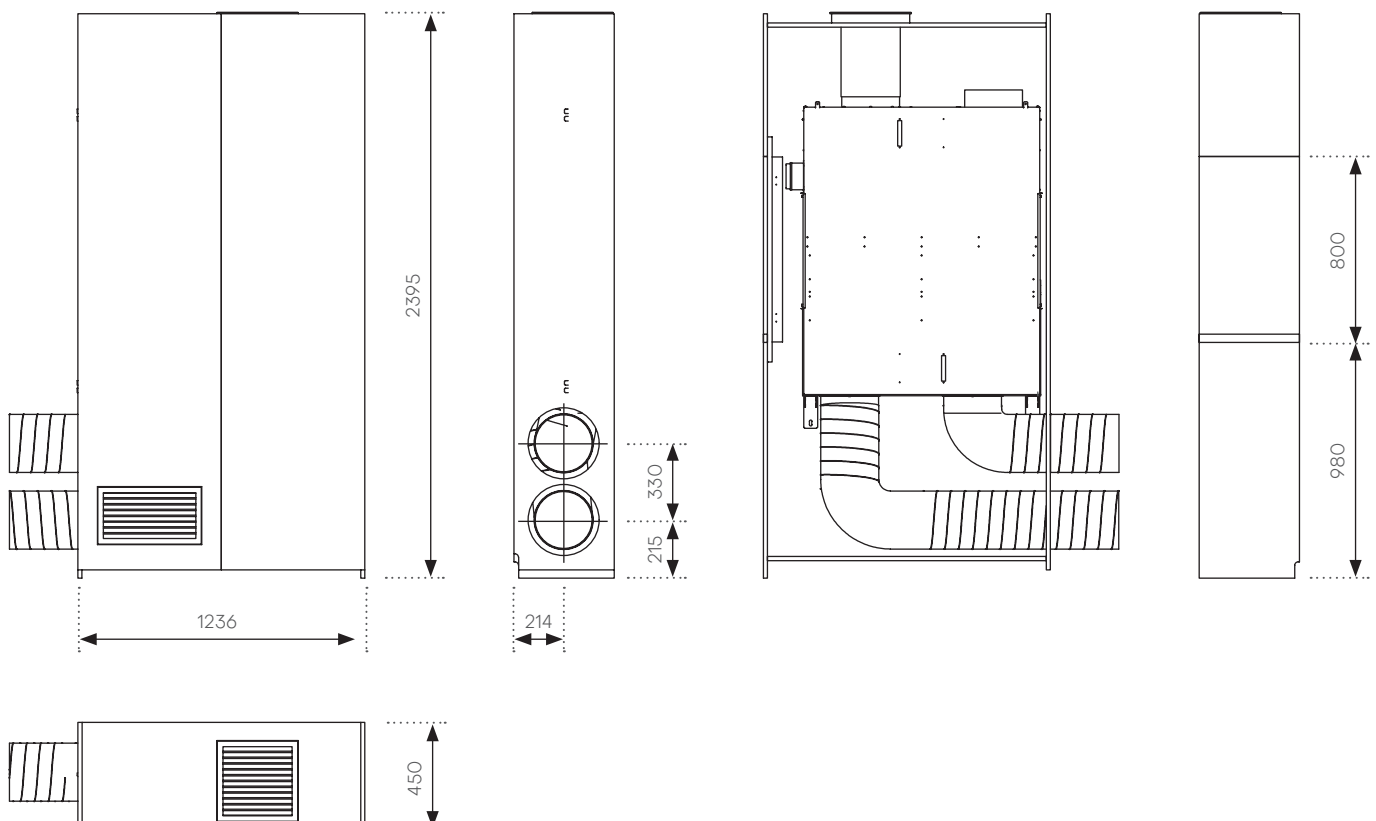


Dimensional drawings

Flow1000^{Silent}
 HRV with wooden cover for
 ceiling installation



FlowM1000 - left side
 HRV in wooden cabinet

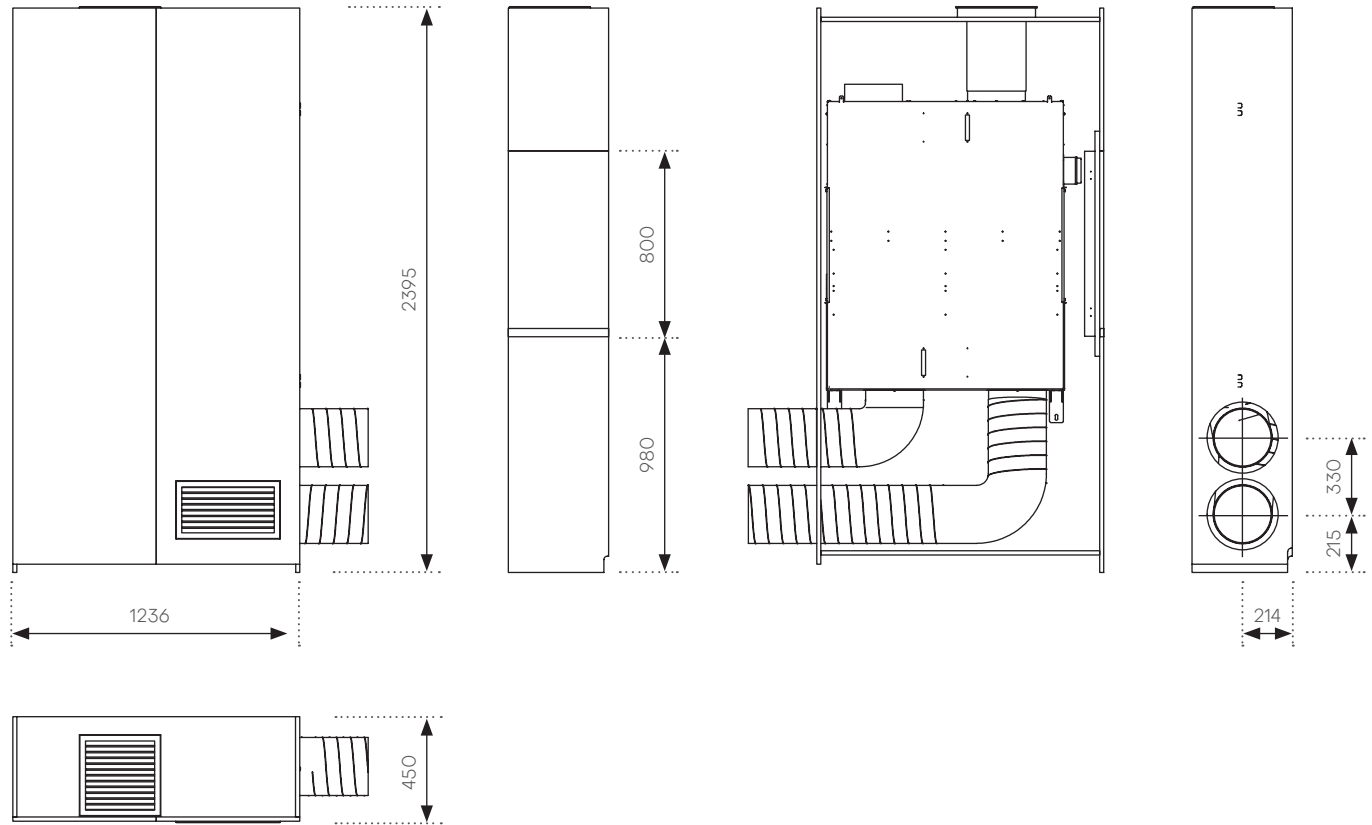


.....



Dimensional drawings

FlowM1000 - right side HRV in wooden cabinet





IAQ sensors

Indoor Air Quality

Intelligent technology
for indoor air quality monitoring

Comprehensive, customisable air quality control without compromise: this is what the new **range of Helty sensors do**. Designed to **detect and monitor the main pollutants present in the home and work environments**, Helty IAQ Sensors are easy to install and use. They allow **constant monitoring of the main air quality parameters**, helping to improve the health, comfort and productivity of the people who live or work in enclosed spaces.

The line consists of devices that meet different needs:



CO₂ monitor

For specific control of **humidity, internal temperature and carbon dioxide parameters**.



IAQ monitor

Indispensable for comprehensive IAQ monitoring, it includes – in addition to CO₂ sensor parameters – the **detection of PM1/2.5/10 particulates**, and specific levels of **TVOC and formaldehyde pollutants**.



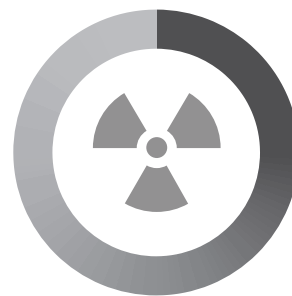
Radon monitor

Designed for accurate monitoring of **radon gas concentration levels** in a confined environment.



Data and insight always within reach of the app

Compatible with all HRV units equipped with a cloud panel, Hely IAQ sensors **integrate perfectly with heat recovery ventilation systems**, facilitating optimal management of indoor air quality. With the **Hely Home app**, it is also possible to **monitor the detected parameters in real time, set customised scenarios** and program automatism based on user-defined intervention thresholds. It is an indispensable tool for anyone wishing to improve the quality of life in the home or office, offering advanced support for controlling pollutants and creating a healthy and comfortable environment.



Control panel

Maximum ease of use



Pos.	Description
A	On/Off timer ⁽¹⁾ and LED lighting dimmer ⁽²⁾
B	Ventilation adjustment
b	Ventilation speed LED
C	Night function
D	Hyperventilation
d	Hyperventilation function LED
e	Filter replacement alarm LED
F	Free Cooling ⁽³⁾
f	Free Cooling function LED

1. Available on FlowEASY
 2. Available on FlowELITE
 3. Available for all models except FlowEASY

A Wi-Fi control panel suitable for the 503 electrical box, compatible with all major electrical plates, is available for FlowMANHATTAN and all Flow Community models.

Functions



On/Off timer and LED light dimmer

This activates the automatic switch-off timer function ⁽¹⁾. This allows the lighting LEDs to be switched on and their intensity to be controlled ⁽²⁾.



Ventilation adjustment

It allows the four different air exchange speeds to be set according to the ventilation needs of the room.



Night function

This sets the HRV to a minimum ventilation speed and reduces the intensity of the LEDs to have a continuous and silent air exchange ensuring quality sleep. With a long press, the LEDs can be switched off completely.



Hyperventilation

This increases the airflow rate to the maximum so as to achieve faster air exchange and ventilate a room for short periods at maximum performance.



Free Cooling / Free Heating

Intelligent technology that allows natural cooling of the indoor environment. If the external air has a lower temperature than the inside air, the HRV system cuts off the heat recovery function before feeding the air into the environment to maintain the best thermal condition. This introduces naturally fresh air into indoor spaces for natural air conditioning. This technology is especially useful in the summer and mid-season at night, when the outdoor temperature is more comfortable. On the contrary, Free Heating allows, in mid-season or on warm winter days, to make use of the warmer external air.



Filter replacement alarm

It warns when it is time to replace the filter to safeguard the performance of the unit.

Helty Home app

HRV management has never been so smart!



Helty Home is the new **mobile app** that enables **simple and intuitive management of HRV units directly from a smartphone or tablet**. Designed to allow the user to **control** heat recovery ventilation systems remotely and integrally, Helty Home offers the possibility of differentiating air exchange on the individual unit and on the individual home environment for maximum comfort at a single touch. The refreshed graphical user interface makes using the Helty Home app even smarter, with user-friendly layouts that put all information at your fingertips.

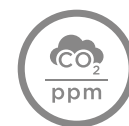
The application can be combined with a range of optional sensors for uncompromising indoor health in addition to monitoring humidity, temperature and indoor air quality parameters. The special Radon function, for compatible HRV models, can **monitor radon gas concentrations in rooms**. In combination with the optional sensors, Helty Home becomes an indispensable tool for effectively managing ventilation units with internal intelligence that automatically manages the airflow rate to dilute the presence of the pollutant and effectively mitigate the risk.

Helty app download

The Helty Home app is available on the Apple Store for the IOS operating system and on the Google Play Store for the Android operating system.



It allows the operation of HRVs to be controlled and set remotely.



This indicates air quality data: humidity, temperature, VOC and CO₂ and Radon.



It also allows all HRVs to be controlled simultaneously.

Highlights and functions

- // Ventilation control
- // Environmental parameter monitoring (humidity, temperature, particulates, VOC, CO₂)
- // Scenario programming with intervention thresholds
- // Remote control of several units simultaneously
- // Alerts through alerts

*whether the HRV units are equipped with sensors or dialogue with external IAQ sensors via the Cloud control panel

Filters and spare parts

Helty Flow ductless systems make changing the filter a breeze

The user simply needs to **replace the air filter**, appropriately indicated by the LED on the unit or the app and **reset the filter alarm**.

For all wall-mounted, wall-recessed and upgrade HRV systems, this operation, which is needed on average after 6–8 months, can be managed independently by the user and takes just a few minutes. The filter alarm must be reset after changing the filters.



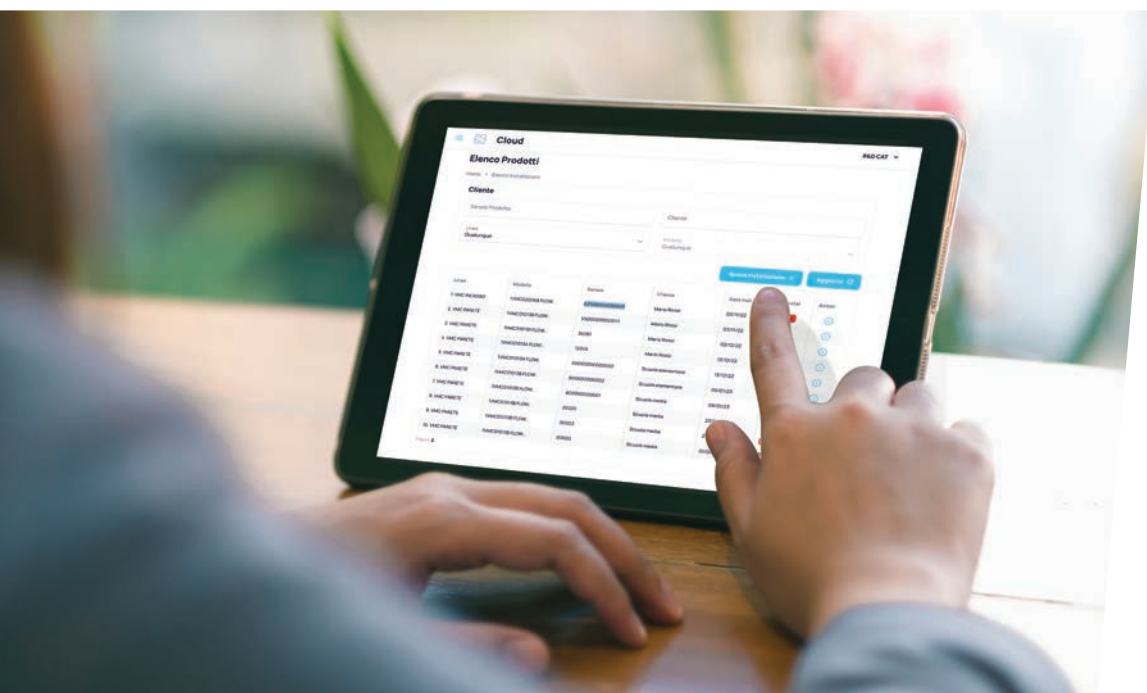
HCloud



HRV control, software updates, IAQ data monitoring and customised scenario creation.
Everything remotely with WebApp

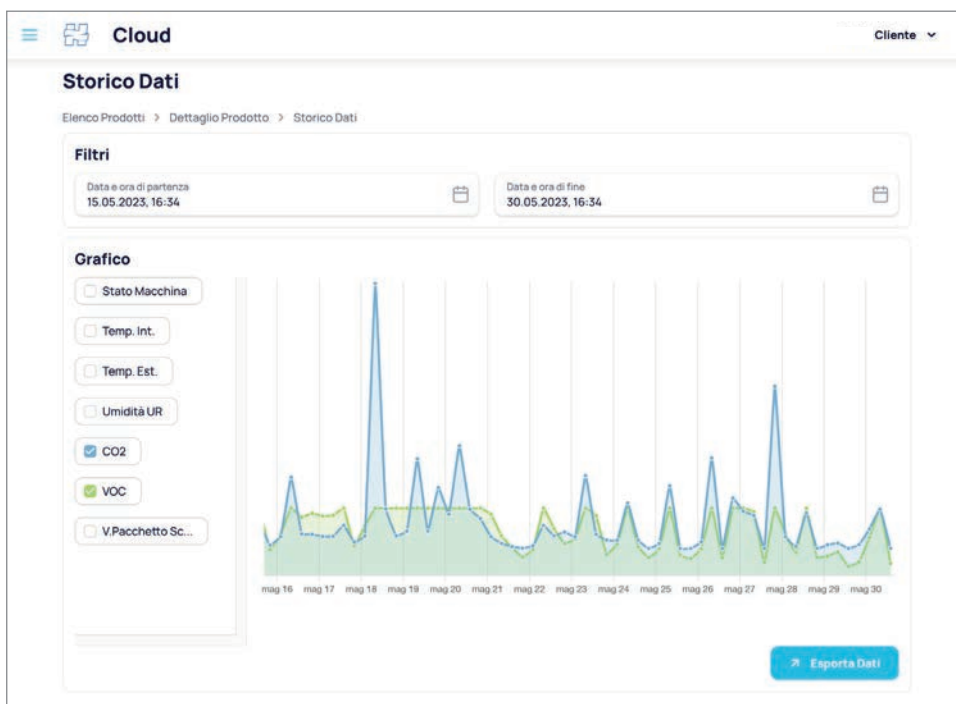
HCloud is Hely's **web-based platform** for **managing and constantly controlling the operating status and settings** individual HRV Community units. The WebApp can be used to intervene promptly to **check the condition of the machines and provide remote technical support** when needed. The web application, created with a full-managed approach, i.e.

to check the status of the units and initiate software updates, is designed for a specialised technical user and, in particular at the Hely network's Technical Service Centres. One of the most recent innovations is the **possibility of setting customised scenarios** on individual HRVs installed in different rooms, facilitating increasingly intelligent and sustainable management.



Real-time parameters

With the **continuous on-site data collection** of microclimate parameters (temperature, humidity) and indoor pollutants (CO₂ and VOC) in the rooms served by the ventilation units, HCloud allows **real-time monitoring of the status of the main parameters affecting air health** and a **reading of IAQ data trend history** in the rooms.



With HCloud, you can **create and set pre-configured scenarios**, such as the start-up or shutdown of the HRV system or specific airflow rates on specific days and time slots, to optimise the operation of the ventilation unit according to the air exchange and comfort needs of the room while minimising energy consumption.

Environment: let's not waste energy

The environment, sustainability and living comfort are issues of great importance to Helyt. This is why we promote the creation of **healthier and more comfortable** homes and offices together with an **energy saving culture**, which translates into the high performance of our products. Helyt Flow recovers up to 91% of the thermal energy that would normally be lost by opening windows to allow the proper ventilation of rooms. This heat is then used to heat the incoming air allowing **significant savings on winter heating and summer cooling.**



Tiny energy consumption

The enthalpy heat exchanger also recovers the latent heat contained in the humidity in the air, for even greater savings. Helyt Flow technologies also consume less than 150 Wh per day. This is such a small amount of electricity that keeping them running constantly will cost you **less than 6 Euro cents per day.**

With a highly efficient heat recovery ventilation system with heat recovery such as Helyt Flow, **optimal indoor air management** is achieved without wasting energy while **reducing consumption and environmental pollution.**

HELTY®
Pure air for your home

HELTY®

Pure air for your home

Healthy breathing in every room



#healthybreathing



4MKTO00006635