



AERO-PRO

Diffuser plenum box
SLIM BOX 2x75

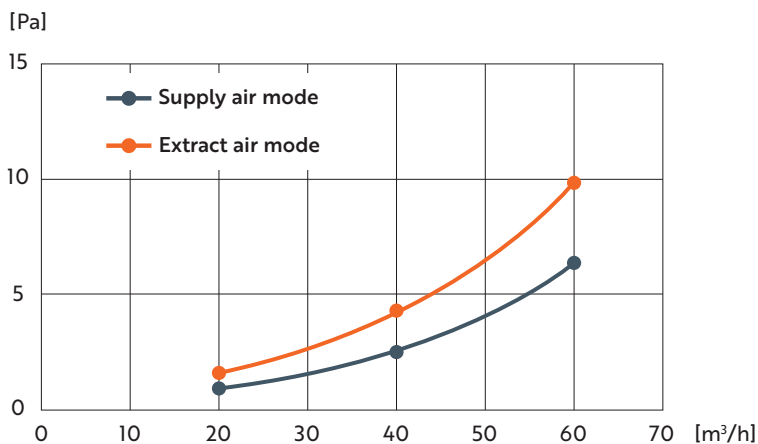
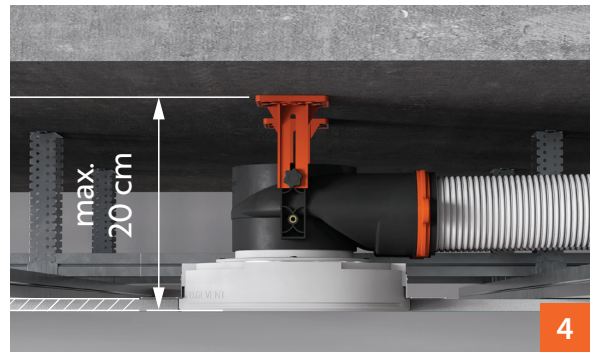
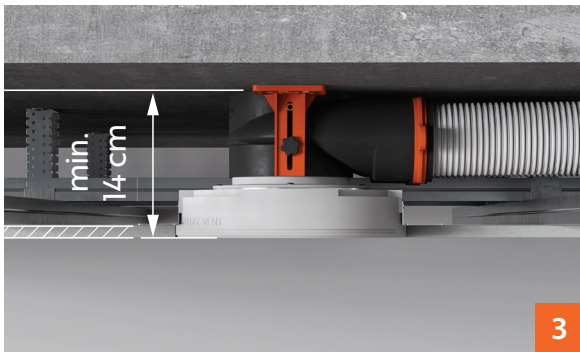
Technical specifications



The low-profile plenum box AERO-PRO / SLIM BOX 2x75 allows for the installation of the ERGOVENT diffuser in just a 14 cm space (**fig. 3**). However, it is also fully suitable for installation in spaces up to 20 cm, as the box height can be adjusted using the side brackets (**fig. 4**). The plenum box is compatible with ERGOVENT RONDO-125, KVADRO-125, and other diffusers with a 125 mm connection.

INSTALLATION

The option to mount through the center (**fig. 1**) or using the side brackets (**fig. 2**).



Supply air mode		Extract air mode	
qv	$\Delta p_{1,2}$	qv	$\Delta p_{1,2}$
m³/h	Pa	m³/h	Pa
60	6,7	60	9,8
40	2,5	40	4,5
20	0,9	20	1,6